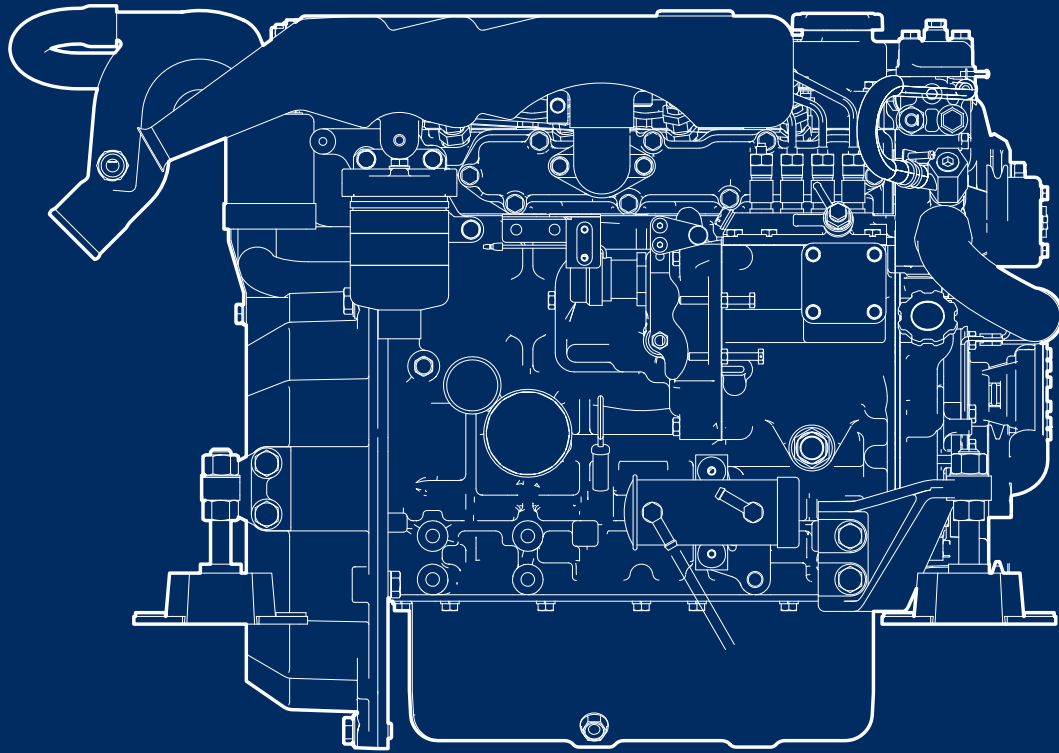




Craftsman
MARINE



SPARE PARTS

CATALOGUE **cm 4.33 / cm 4.42**

CRAFTED WITH CRAFTSMAN MARINE

PROPULSION

DISCLAIMER

The specifications and the descriptions in this spareparts book were correct at the time of going to press. However, Craftsman Marine is continuously striving after the improvement of its products and therefore reserves the right to modify – at all times and without prior notification - product specifications and instruction manuals.

1.0 MARINISATION PARTS

1.1 SPARES SET	PAGE 4
1.2 AIR INTAKE	PAGE 6
1.3 AUXILIARY FUELPUMP & FILTER	PAGE 8
1.4 FLYWHEEL HOUSING	PAGE 10
1.5 ENGINE SUPPORT	PAGE 12
1.6 HEAT EXCHANGER	PAGE 14
1.7 KEELCOOLER MANIFOLD	PAGE 16
1.8 THERMOSTAT	PAGE 18
1.9 HOSES	PAGE 20
1.10 RAW WATER PUMP	PAGE 22

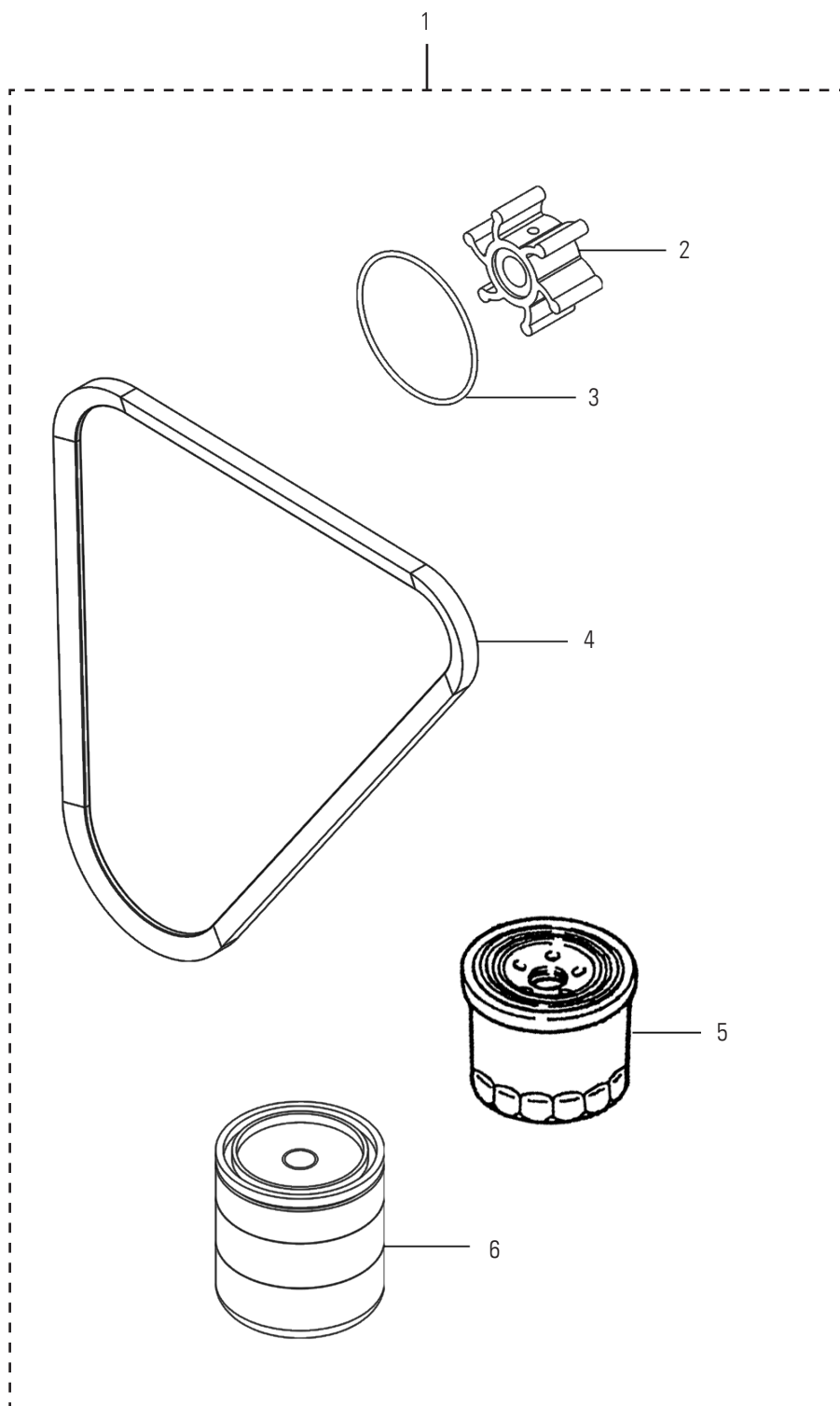
2.0 MITSUBISHI PARTS

2.1 CIRCULATION PUMP & THERMOSTAT	PAGE 24
2.2 CRANKCASE ASSY	PAGE 26
2.3 CRANKCASE	PAGE 28
2.4 OIL PAN & OIL PUMP	PAGE 30
2.5 CILINDER HEAD	PAGE 32
2.6 CRANKSHAFT & FLYWHEEL	PAGE 34
2.7 ROCKER COVER & CAMSHAFT	PAGE 36
2.8 TIMING GEAR & CASE	PAGE 38
2.9 GOVERNOR	PAGE 40
2.10 FUEL SYSTEM	PAGE 42
2.11 FUEL INJECTION PUMP DRIVE	PAGE 44
2.12 INJECTION PUMP	PAGE 46
2.13 NOZZLE & NOZZLE HOLDER	PAGE 48
2.14 GASKET KIT	PAGE 50

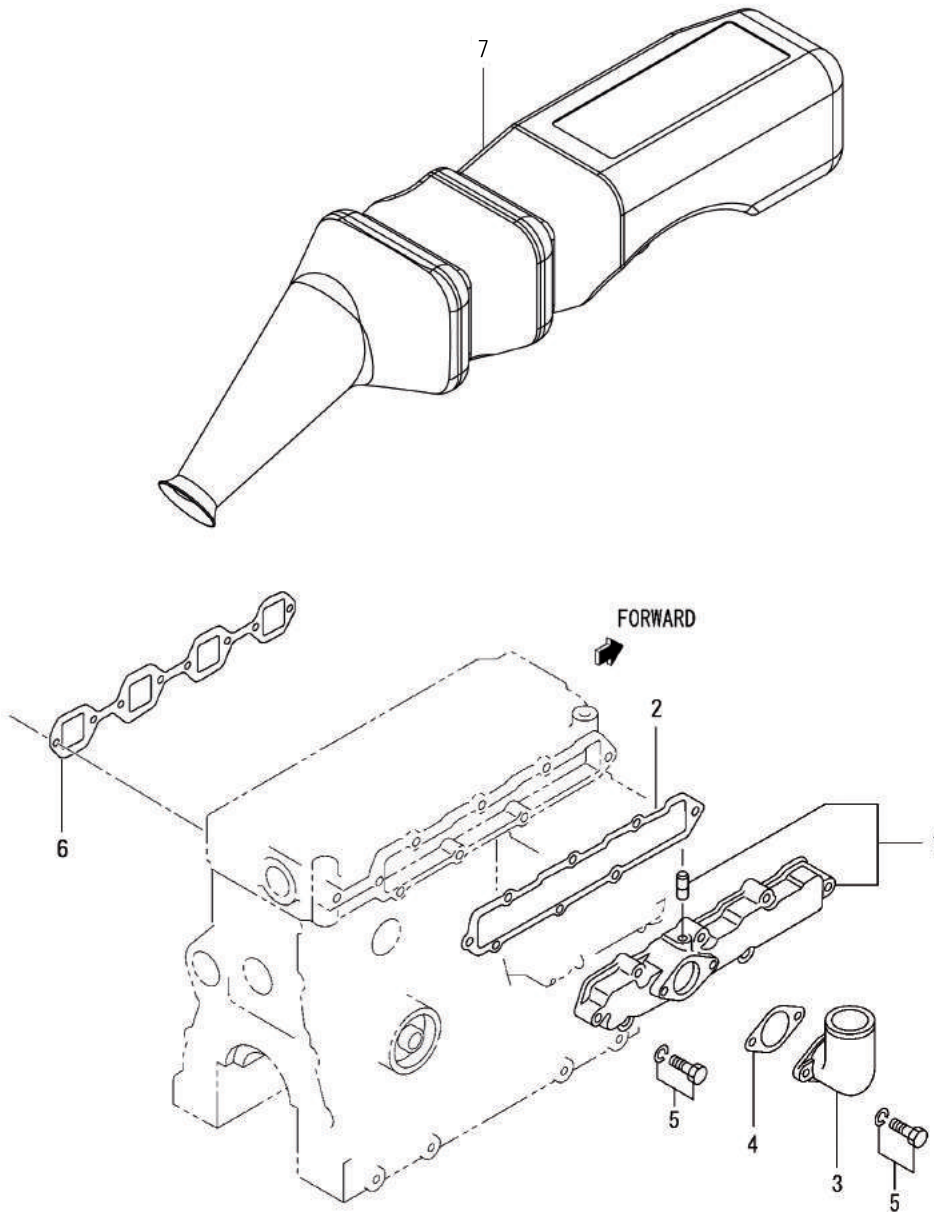
3.0 ELECTRONICS

3.1 STARTER MOTOR & ALTERNATOR	PAGE 52
3.2 TERMINAL BOX	PAGE 54
3.3 SENSORS	PAGE 56
3.4 INSTRUMENT PANEL	PAGE 58
3.5 INSTRUMENT PANEL	PAGE 60

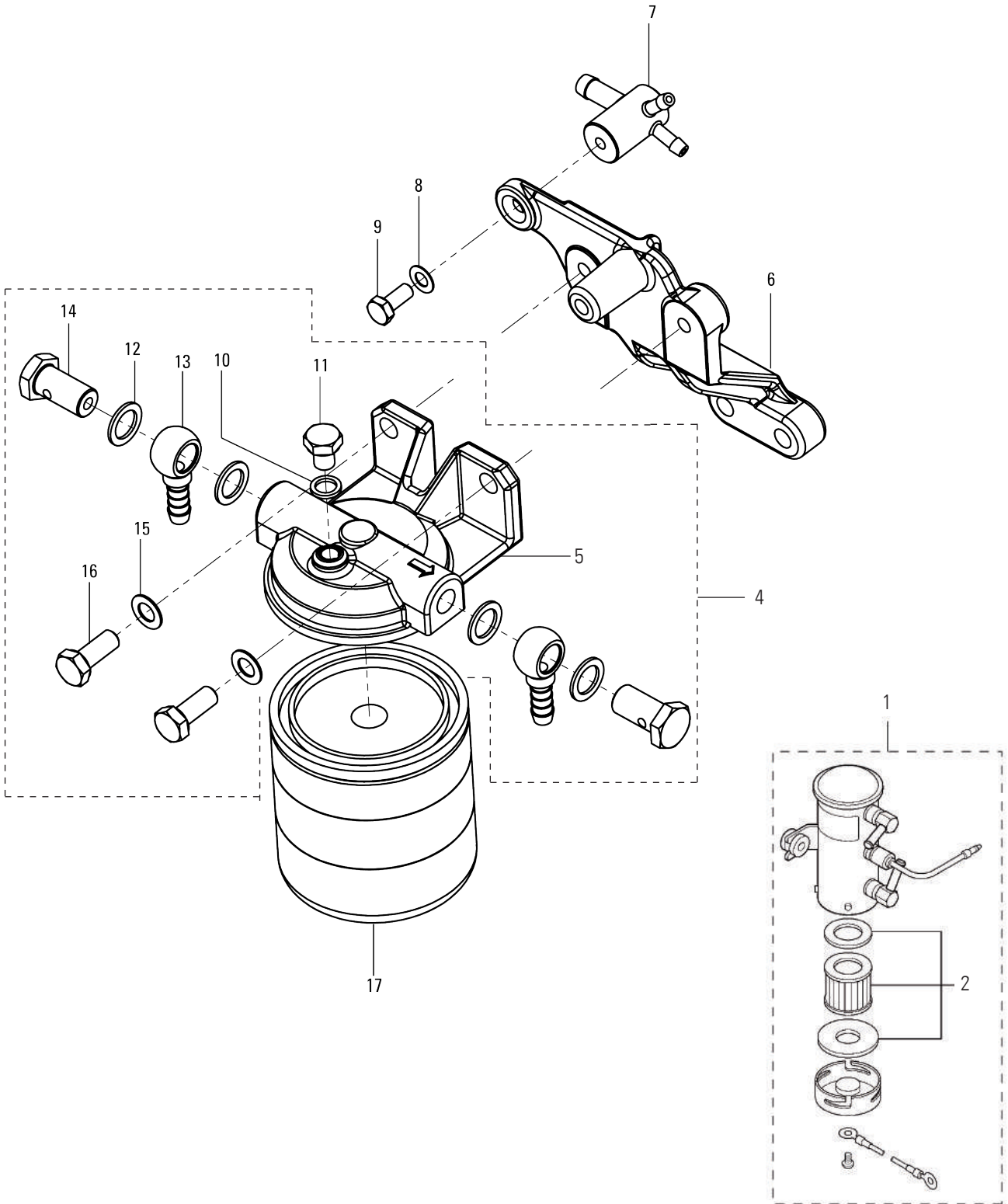
1.1 SPARES SET



1.2 AIR INTAKE



1.3 AUXILIARY FUELPUMP & FILTER



1.4 FLYWHEEL HOUSING

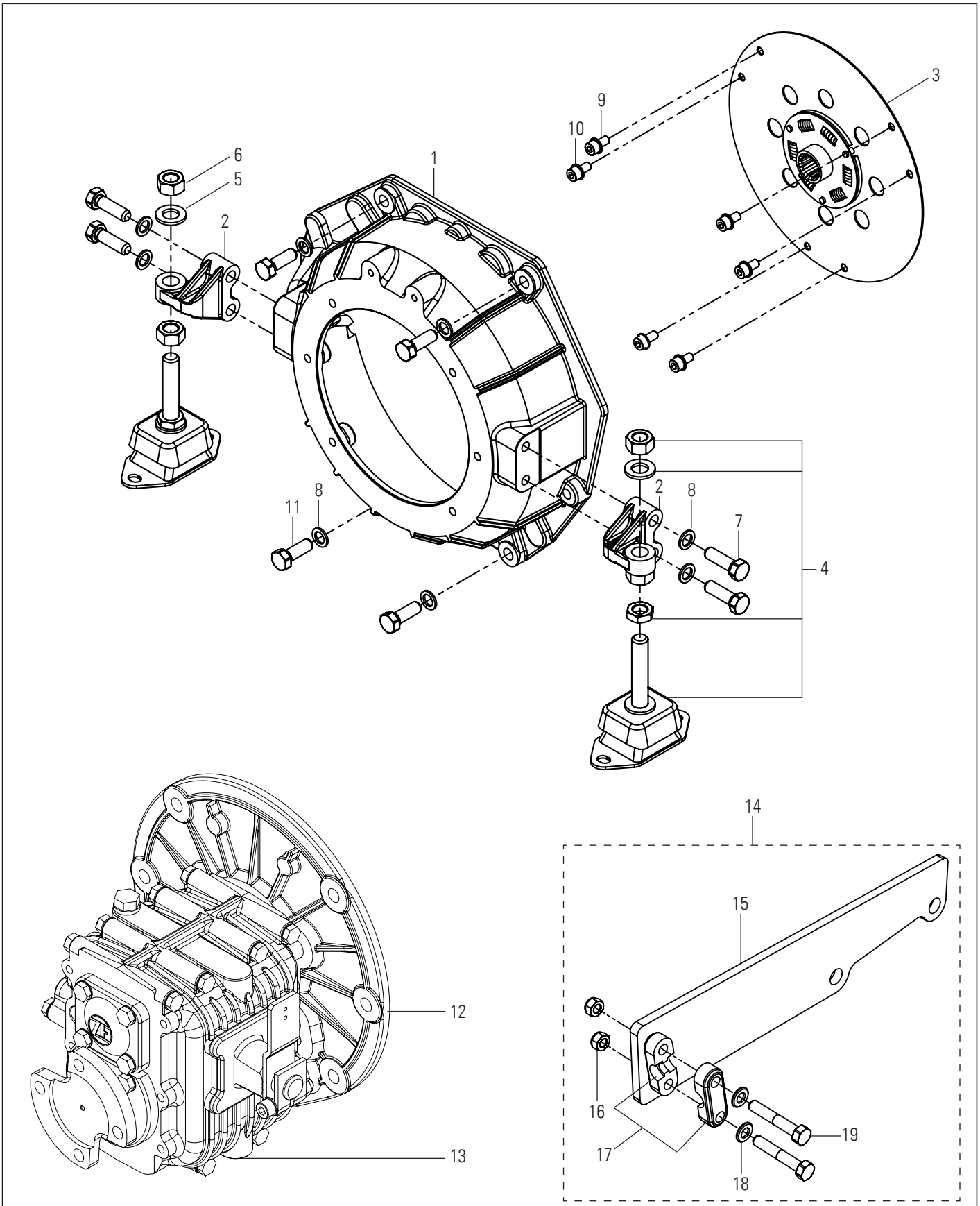
Pos.	Qty	Part	Description	Comment
1	1	AA.400.90235	FLYWHEEL HOUSING	
2	2	AA.200.90002	REAR BRACKET ENGINE SUPPORT	
3	1	AA.400.00030	DAMPERPLATE	
4	4	AA.400.90018	ENGINE MOUNT	
5	2	AA.300.90083	WASHER M16	
6	4	AA.300.90082	NUT M16X1.5	
7	4	AA.300.90128	BOLT M12X50	
8	10	AA.300.90127	WASHER M12	
9	6	AA.300.90068	WASHER M8	
10	6	AA.300.90131	HEX SOCKET BOLT M8X16	
11	6	AA.400.90237	BOLT M12X35	
12	1	AA.300.90138	FLANGE GEARBOX	
13	1	AA.300.90139	ZF10M GEARBOX 2,05:1	
	1	AA.400.90238	ZF12M GEARBOX 2,14:1	
	1	AA.400.90239	ZF12M GEARBOX 2,63:1	
	1	AA.010.02120	TMC40 GEARBOX 2,00:1	CM4.33
	1	AA.010.02220	TMC60 GEARBOX 2,00:1	
	1	AA.010.02225	TMC60 GEARBOX 2,50:1	
	1	AA.010.02230	TMC60 GEARBOX 3,00:1	
14	1	AA.300.90133	GEAR LEVER ASSY	
15	1	AA.300.90134	GEAR LEVER	
16	2	AA.300.90135	LOCKING NUT M5	
17	1	AA.200.90050	CABLE CLAMP	
18	2	AA.300.90063	WASHER M5	
19	2	AA.300.90062	BOLT M5X25	

MARINISATION PARTS

MITSUBISHI PARTS

ELECTRONICS

1.4 FLYWHEEL HOUSING



SPARE PARTS

CM4.33 / CM4.42

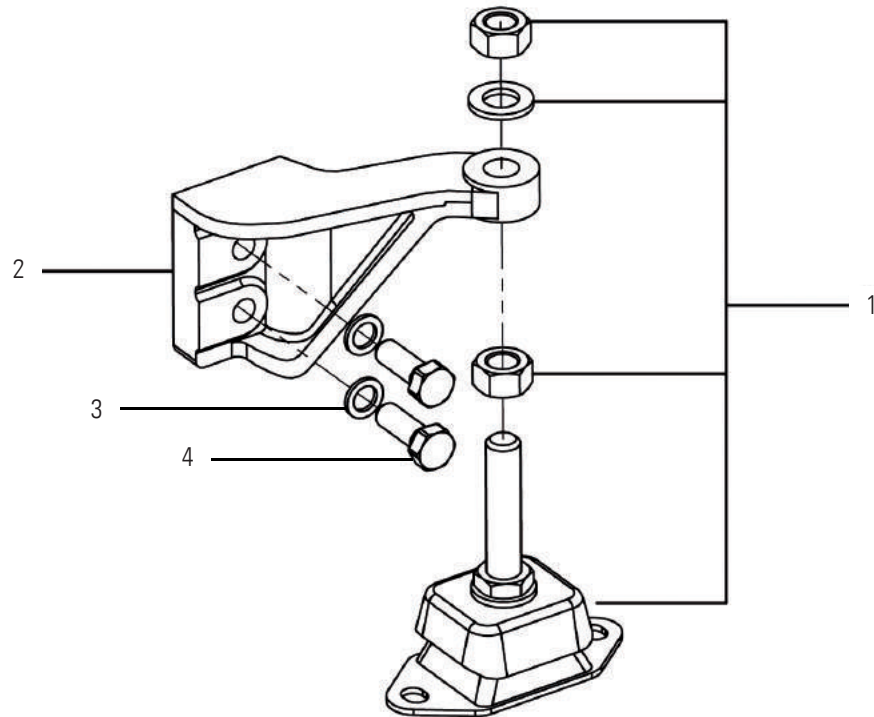


1.5 ENGINE SUPPORT

Pos.	Qty	Part	Description	Comment
1	2	AA.400.90018	ENGINE MOUNT TYPE 4	
2	1	AA.400.90001	ENGINE BRACKET FRONT R	
	1	AA.400.90002	ENGINE BRACKET FRONT L	
3	4	AA.300.91310	WASHER M12	
4	4	AA.400.90198	BOLT M12X35	

- MARINISATION PARTS
- MITSUBISHI PARTS
- ELECTRONICS

1.5 ENGINE SUPPORT



SPARE PARTS

CM4.33 / CM4.42



1.6 HEAT EXCHANGER

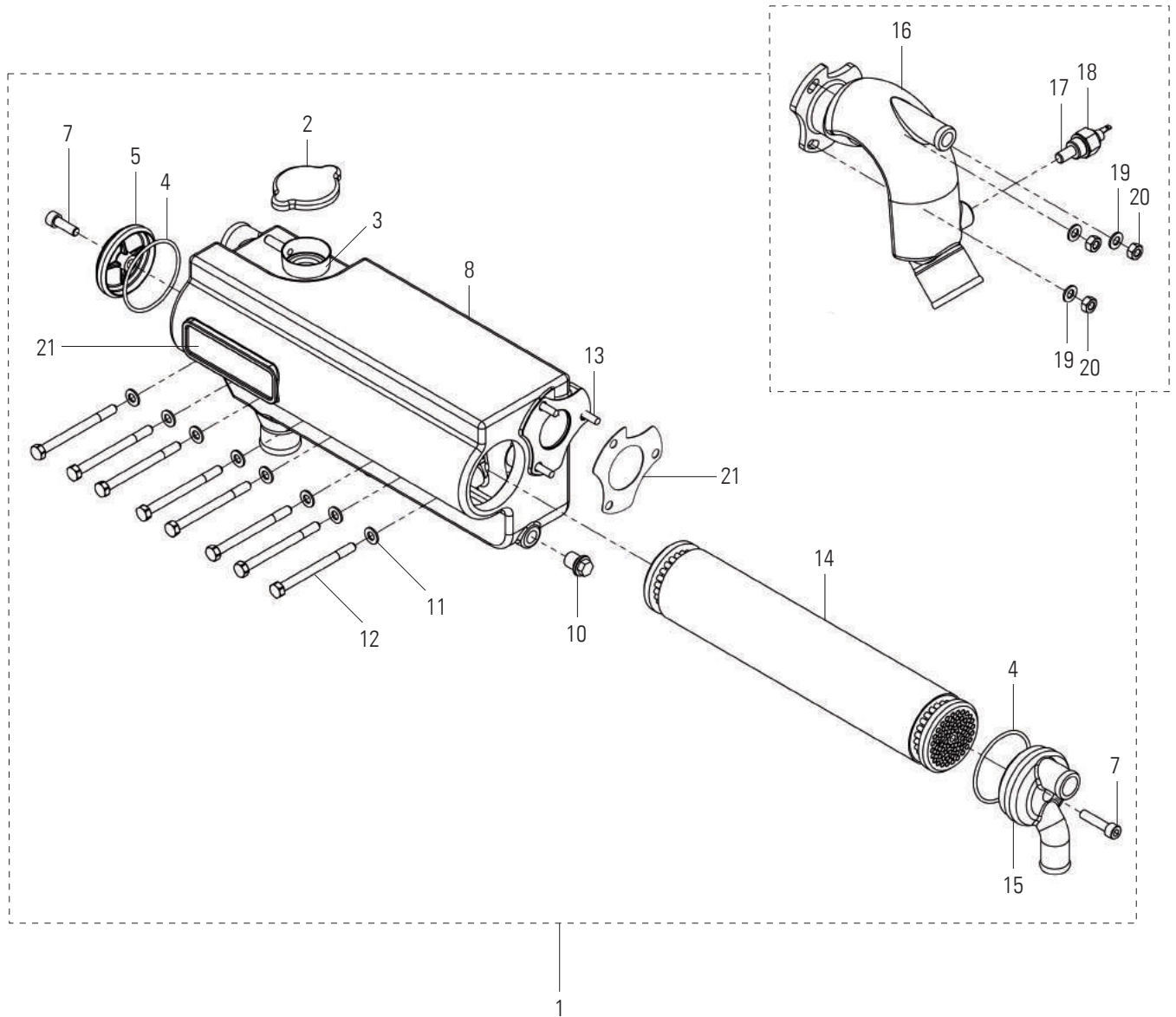
Pos.	Qty	Part	Description	Comment
1	1	AA.400.90005	HEAT EXCHANGER COMPLETE	
2	1	AA.200.90008	FILLER CAP 0.5BAR	
3	1	AA.300.90100	FILLER NECK	
4	2	AA.300.90084	O-RING 66X3	
5	1	AA.200.90007	COVER	
6	2	AA.300.90097	SEAL WASHER M8	NOT SHOWN
7	2	AA.300.90085	BOLT M8X35	
8	1	AA.400.90210	HEATEXCHANGER HOUSING	
9	1	AA.300.90086	SEAL WASHER M14	NOT SHOWN
10	1	AA.300.90053	PLUG M14X1.5	
11	8	AA.300.90068	WASHER M8	
12	8	AA.400.90211	BOLT M8X95	
13	3	AA.300.90089	STUD M8X35	
14	1	AA.400.90212	TUBE STACK	
15	1	AA.200.90006	COVER	
16	1	AA.400.90029	EXHAUST ELBOW	
17	1	AA.300.90098	SEAL WASHER M18	
18	1	AA.010.90004	THERMOSWITCH 75°C M18X1.5	
19	3	AA.300.90068	WASHER M8	
20	3	AA.300.90090	NUT M8	
21	1	AA.400.90101	EXHAUST ELBOW GASKET	
22	1	AA.400.90214	MODEL PLATE	NOT SHOWN
23	*	AA.400.90215	HOSE (OVERFLOW)	NOT SHOWN

MARINISATION PARTS

MITSUBISHI PARTS

ELECTRONICS

1.6 HEAT EXCHANGER



1.7 KEELCOOLER MANIFOLD

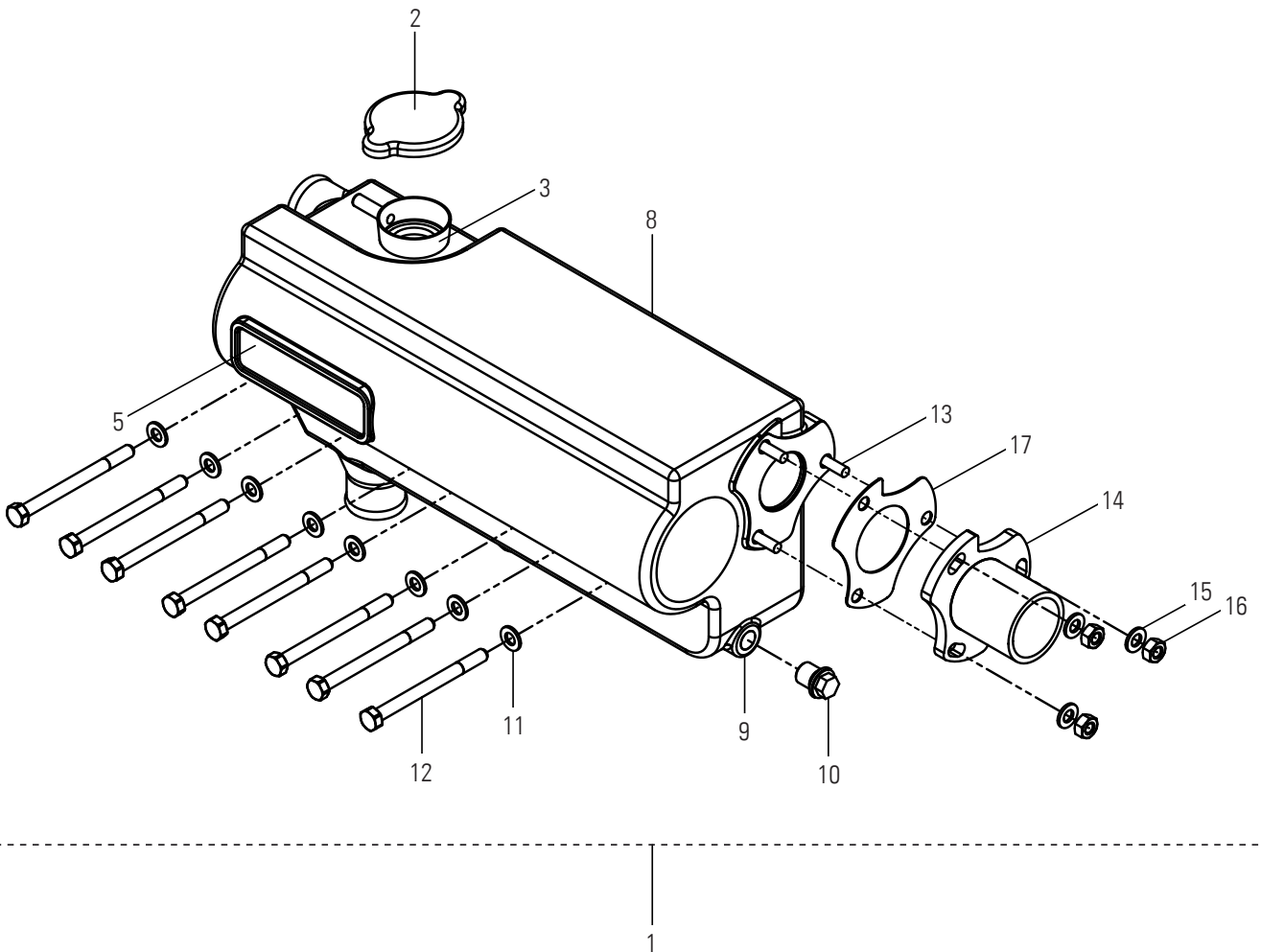
Pos.	Qty	Part	Description	Comment
1	1	AA.401.90005	KEELCOOLER MANIFOLD COMPLETE	
2	1	AA.200.90008	FILLER CAP 0.5BAR	
3	1	AA.300.90100	FILLER NECK	
4	1	AA.300.90111	BLIND CAP (ONLY IN COMBINATION WITH EXPANSION TANK)	NOT SHOWN
5	1	AA.400.90214	MODEL PLATE	
6	1	AA.300.90115	EXPANSION TANK	NOT SHOWN
7	*	AA.300.90102	HOSE	NOT SHOWN
8	1	AA.401.90006	KEELCOOLER HOUSING	
9	1	AA.300.90086	SEAL WASHER M14	
10	1	AA.300.90053	PLUG M14X1.5	
11	8	AA.300.90068	WASHER M8	
12	8	AA.400.90218	BOLT M8X95	
13	3	AA.300.90089	STUD M8X35	
14	1	AA.401.90007	EXHAUST FLANGE	
15	3	AA.300.90068	WASHER M8	
16	3	AA.300.90090	NUT M8	
17	1	AA.400.90101	EXHAUST ELBOW GASKET	

MARINISATION PARTS

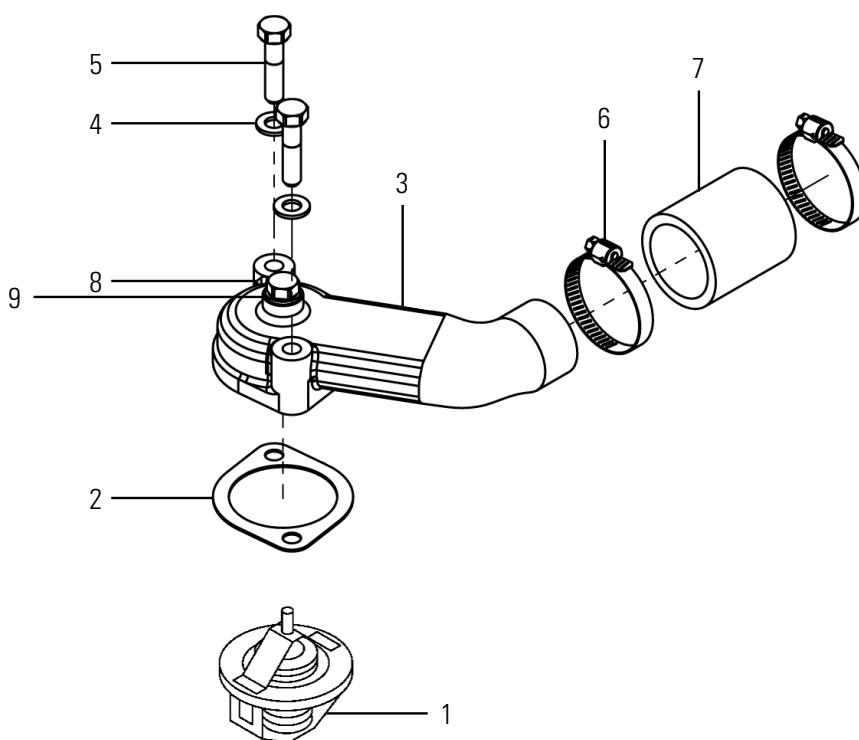
MITSUBISHI PARTS

ELECTRONICS

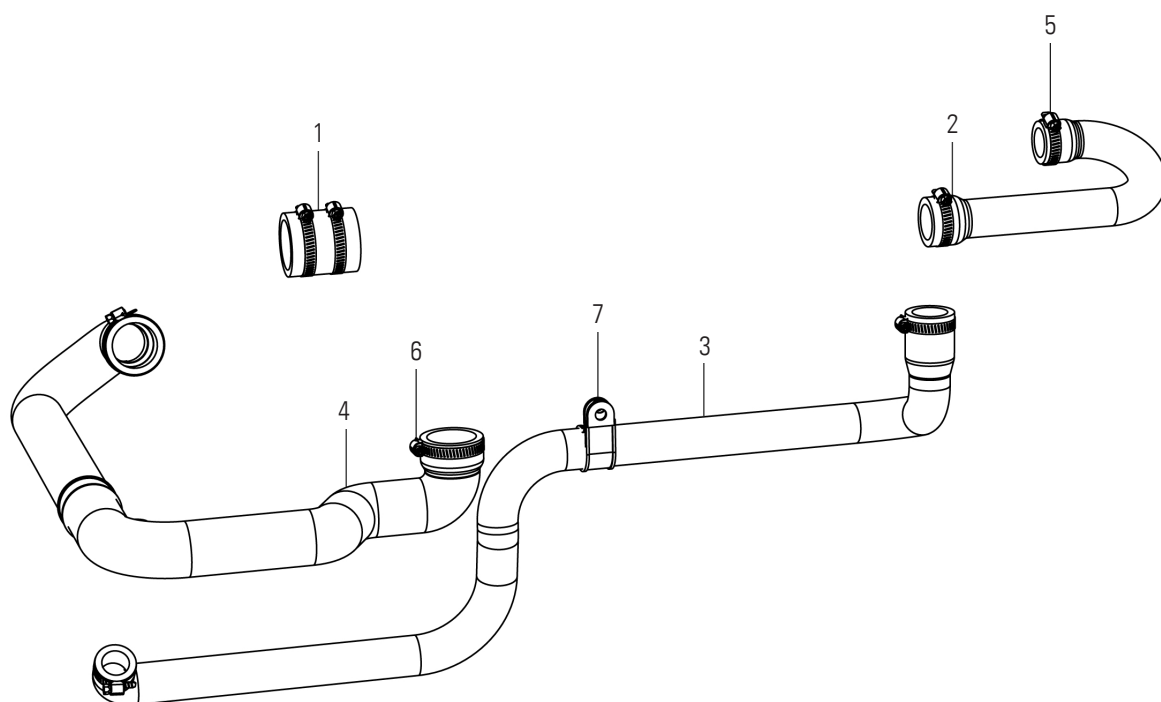
1.7 KEELCOOLER MANIFOLD



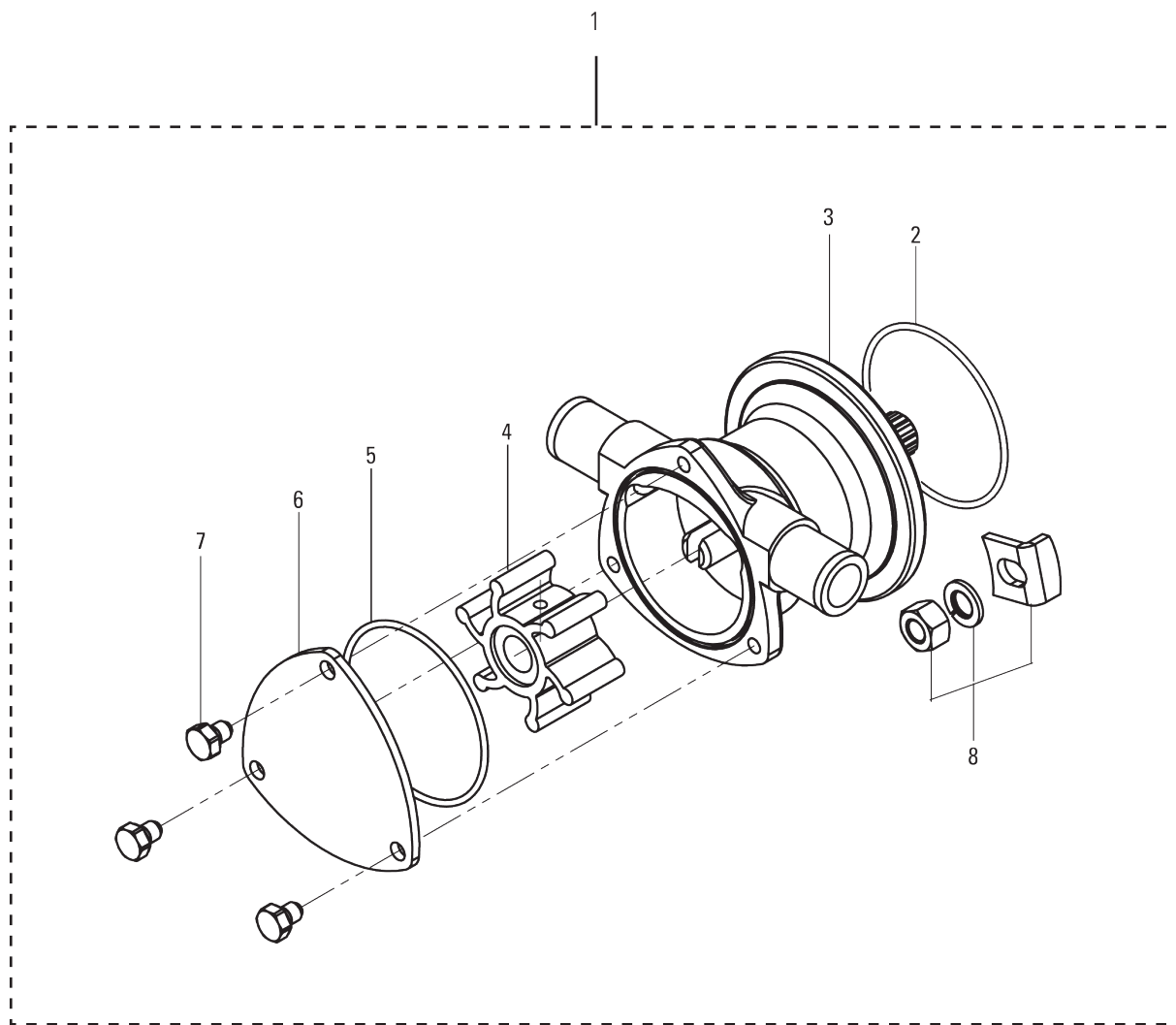
1.8 THERMOSTAT



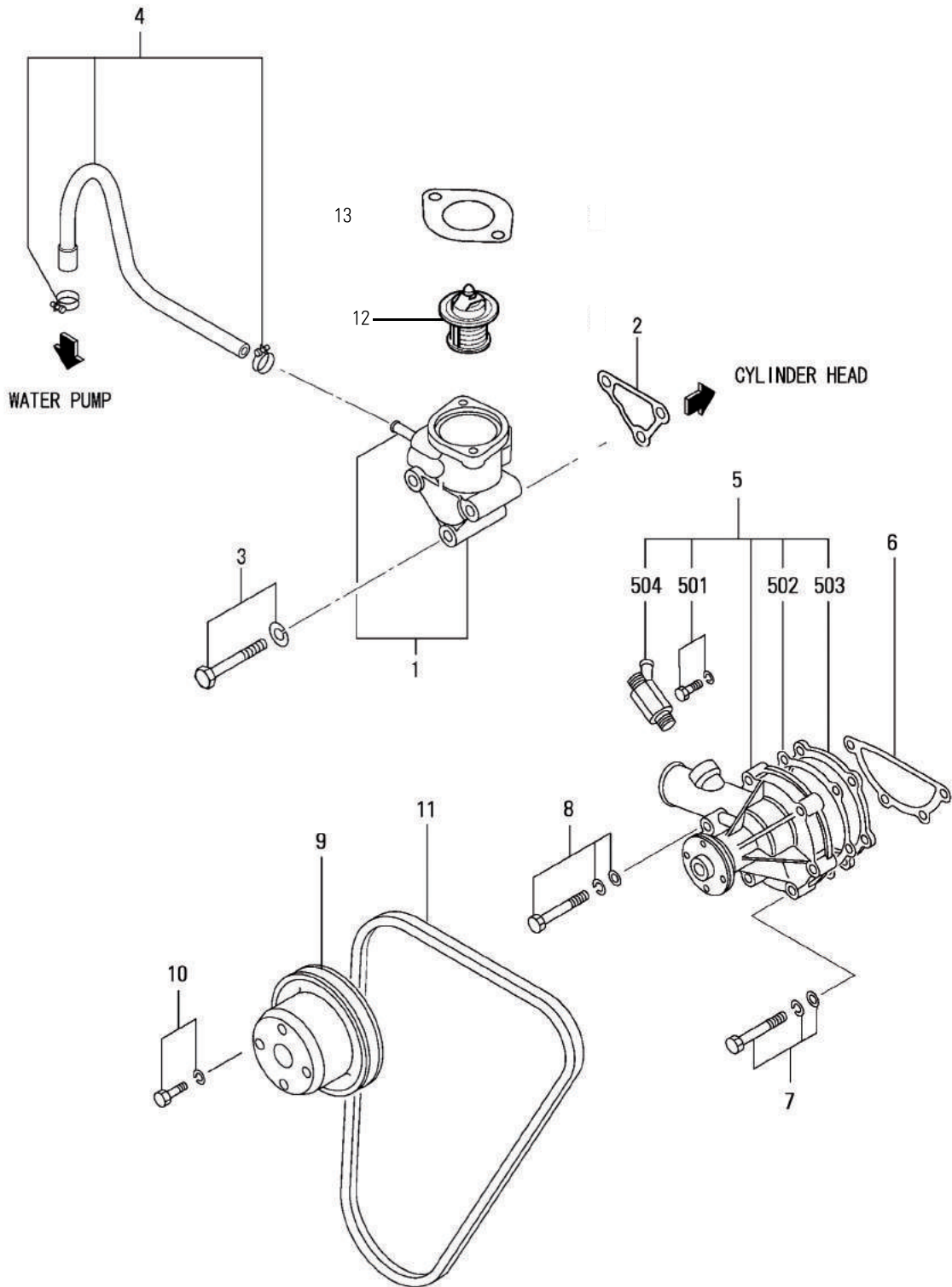
1.9 HOSES



1.10 RAW WATER PUMP



2.1 CIRCULATION PUMP & THERMOSTAT



SPARE PARTS

CM4.33 / CM4.42

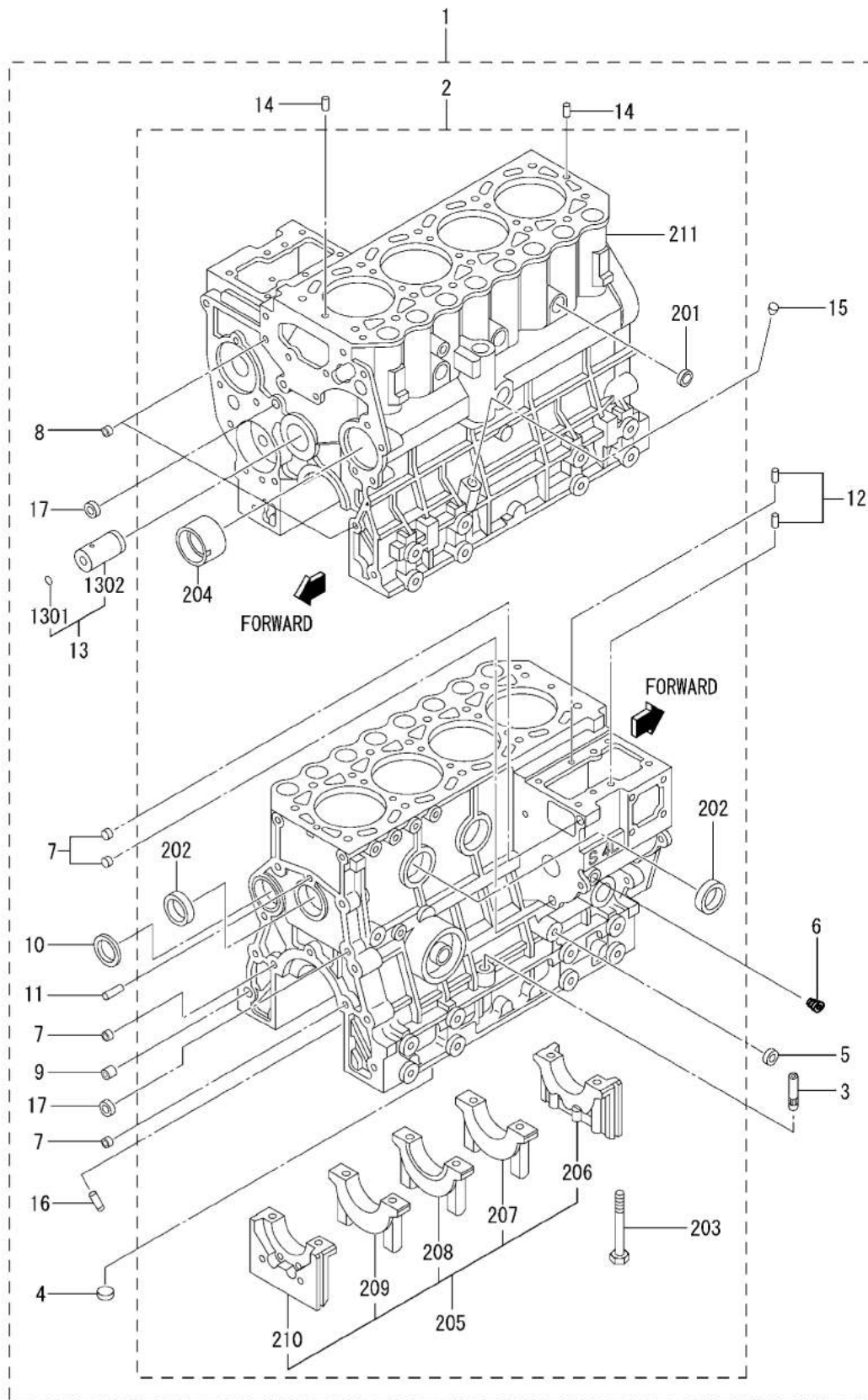


2.2 CRANKCASE ASSY

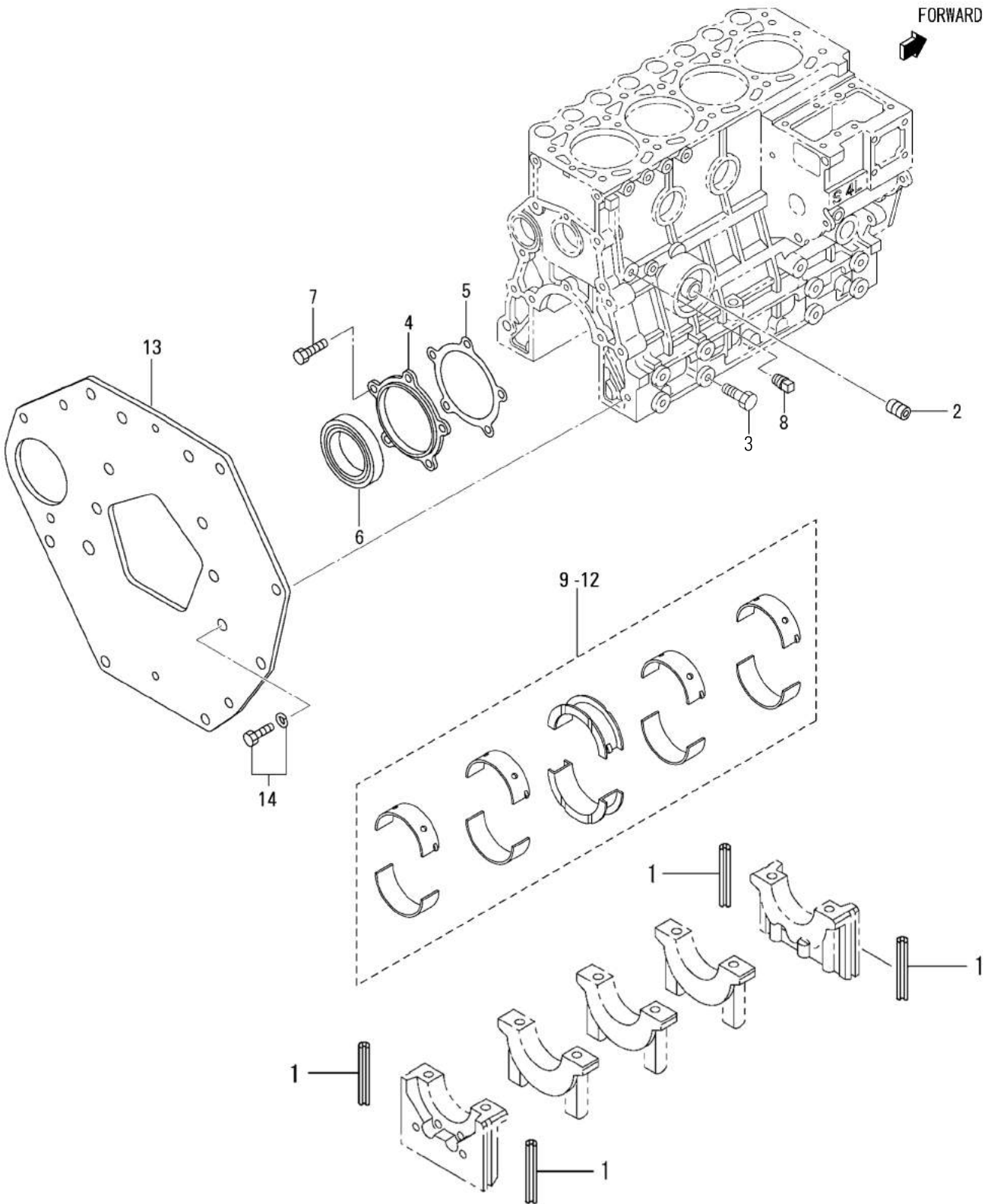
Pos.	Qty	Part	Description	Comment
1	1	AA.400.90031	ENGINE BLOCK ASSY	
2	1		ENGINE BLOCK	
201	3	AA.400.90032	CAP, SEALING	
202	3	AA.400.90033	CAP, SEALING	
203	10	AA.400.90034	BOLT, BEARING CAP	
204	1	AA.400.90035	BUSH, CAMSHAFT	
205	1		CAP SET, BEARING	
206	1		CAP, BEARING FRONT	
207	1		CAP, BEARING NO.2	
208	1		CAP, BEARING NO.3	
209	1		CAP, BEARING NO.4	
210	1		CAP, BEARING REAR	
211	1		BLOCK, CILINDER	
3	1	AA.400.90036	GUIDE, OIL LEVEL GAUGE	
4	1	AA.400.90037	CAP, SEALING	
5	1	AA.400.90038	CAP, SEALING	
6	1	AA.400.90039	PLUG, TAPERED	
7	4	AA.400.90040	BUSHING	
8	2	AA.400.90041	BUSHING	
9	1	AA.400.90042	BUSHING	
10	1	AA.400.90043	PLUG, EXPANSION	
11	1	AA.400.90044	PIN, DOWEL	
12	2	AA.400.90045	PIN, DOWEL	
13	1	AA.400.90046	SHAFT ASSY, IDLER	
1301	1	AA.400.90047	BALL, STEEL	
1302	1		SHAFT, IDLER	
14	2	AA.400.90048	PIN, DOWEL	
15	1	AA.400.90049	PLUG, TAPERED	
16	4	AA.400.90050	CAP, SEALING	
17	2	AA.400.90051	PLUG, TAPERED	CM4.42

MARINISATION PARTS
 MITSUBISHI PARTS
 ELECTRONICS

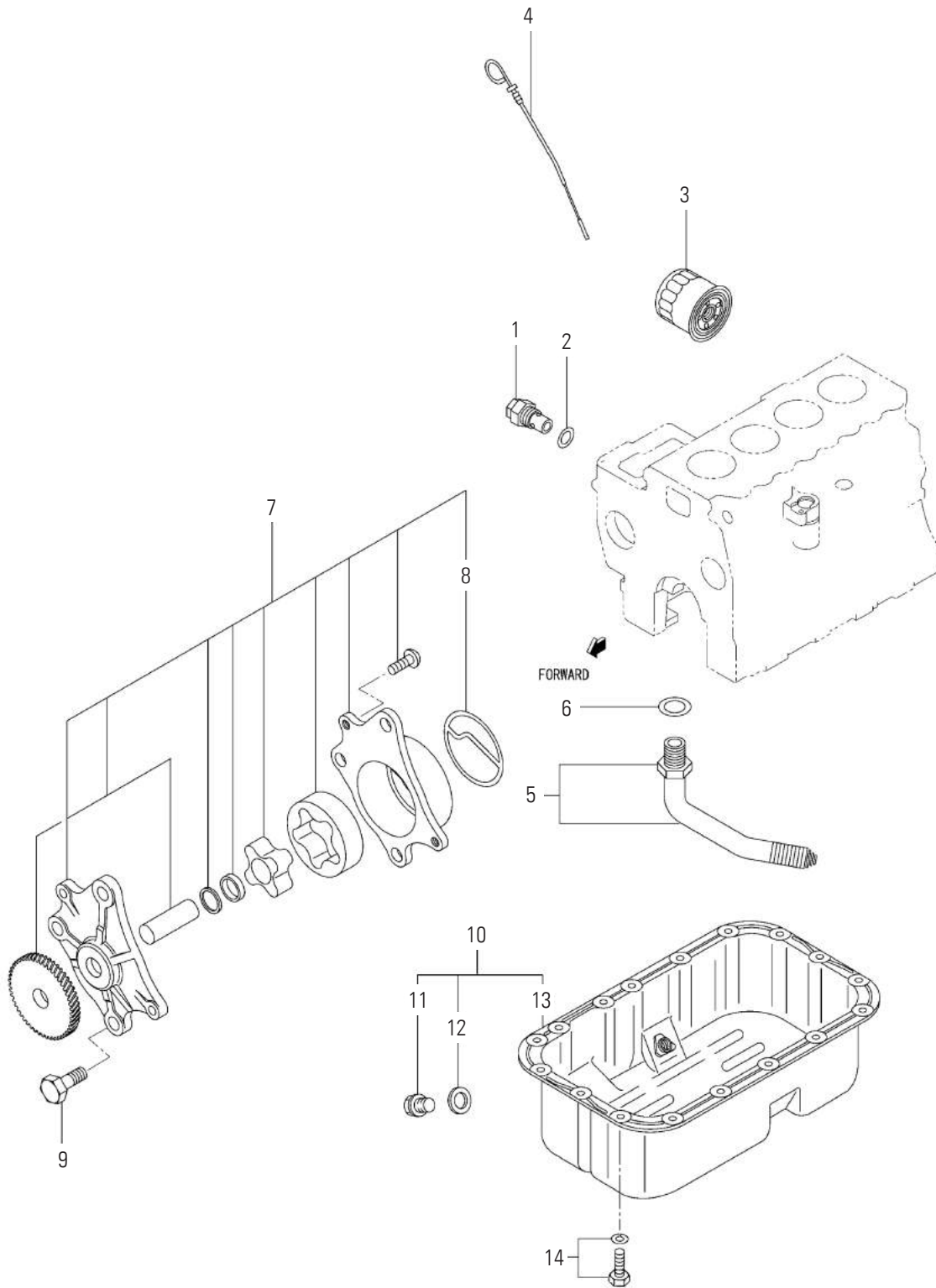
2.2 CRANKCASE ASSY



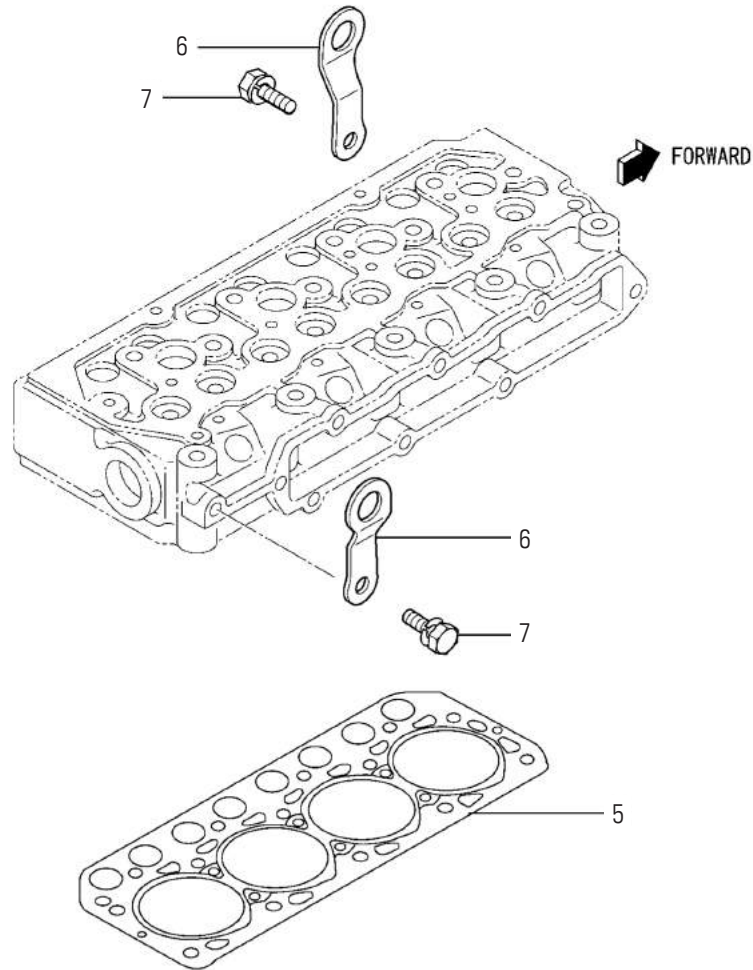
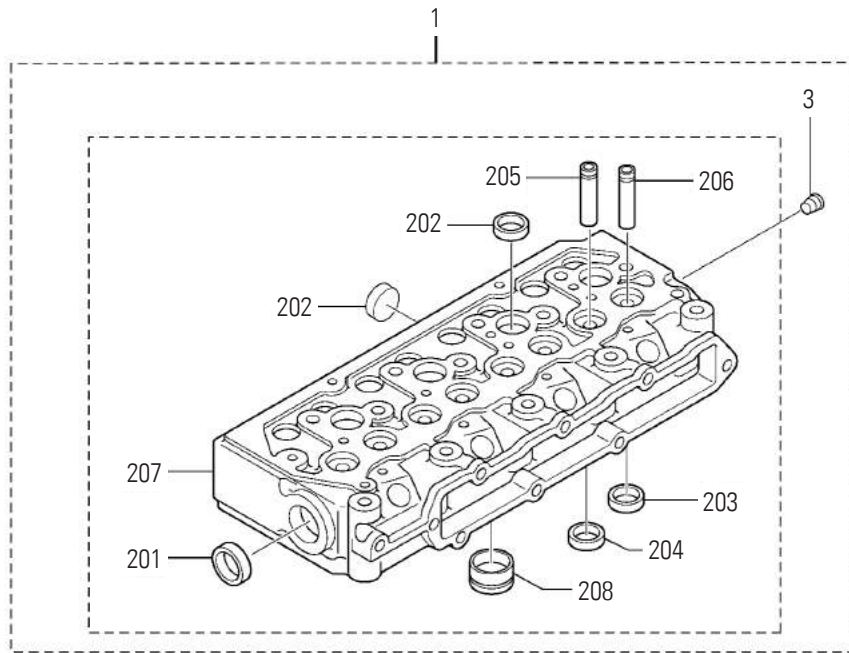
2.3 CRANKCASE



2.4 OIL PAN & OIL PUMP



2.5 CILINDER HEAD



2.6 CRANKSHAFT & FLYWHEEL

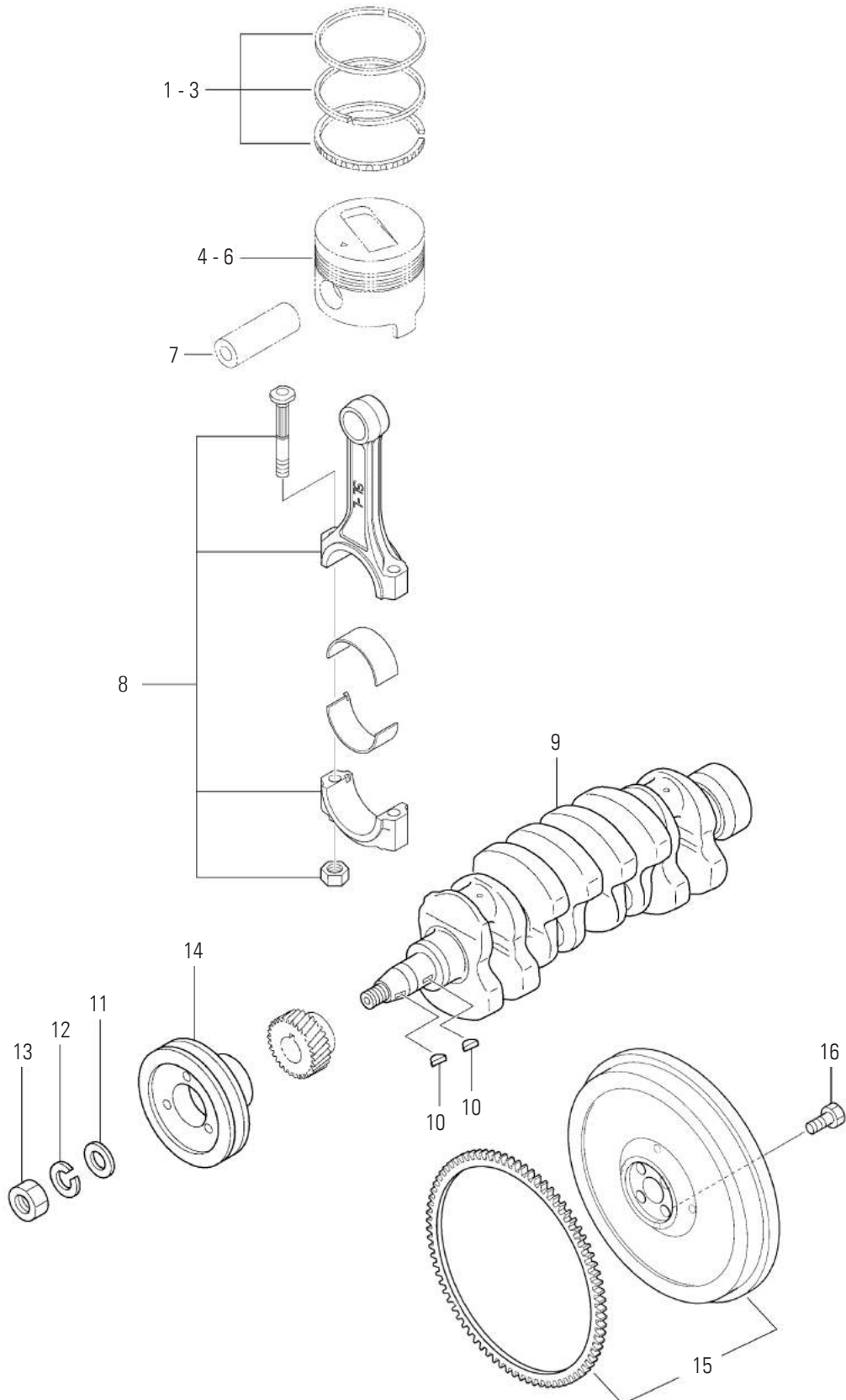
Pos.	Qty	Part	Description	Comment
1	4	AA.400.90066	RING SET, PISTON STD	
2	4	AA.400.90067	RING SET, PISTON O.S 0.25	
3	4	AA.400.90068	RING SET, PISTON O.S 0.50	
4	4	AA.400.90069	PISTON, STD	
5	4	AA.400.90070	PISTON, O.S. 0.25	
6	4	AA.400.90071	PISTON, O.S. 0.50	
7	4	AA.400.90072	PISTON PIN	
8	4	AA.400.90073	ROD ASSEMBLY CM4.33	CM4.33
	4	AA.400.90074	ROD ASSEMBLY CM4.42	CM4.42
9	1	AA.400.90075	CRANKSHAFT 4.33	CM4.33
	1	AA.400.90076	CRANKSHAFT 4.42	CM4.42
10	2	AA.400.90077	WOODRUFF KEY	
11	1	AA.400.90078	PLAIN WASHER	
12	1	AA.400.90079	SPRING WASHER	
13	1	AA.400.90080	NUT	
14	1	AA.400.90081	PULLY, CRANKSHAFT	
15	1	AA.400.90082	FLYWHEEL ASSEMBLY	
16	4	AA.400.90083	BOLT, DRIVE PLATE	

MARINISATION PARTS

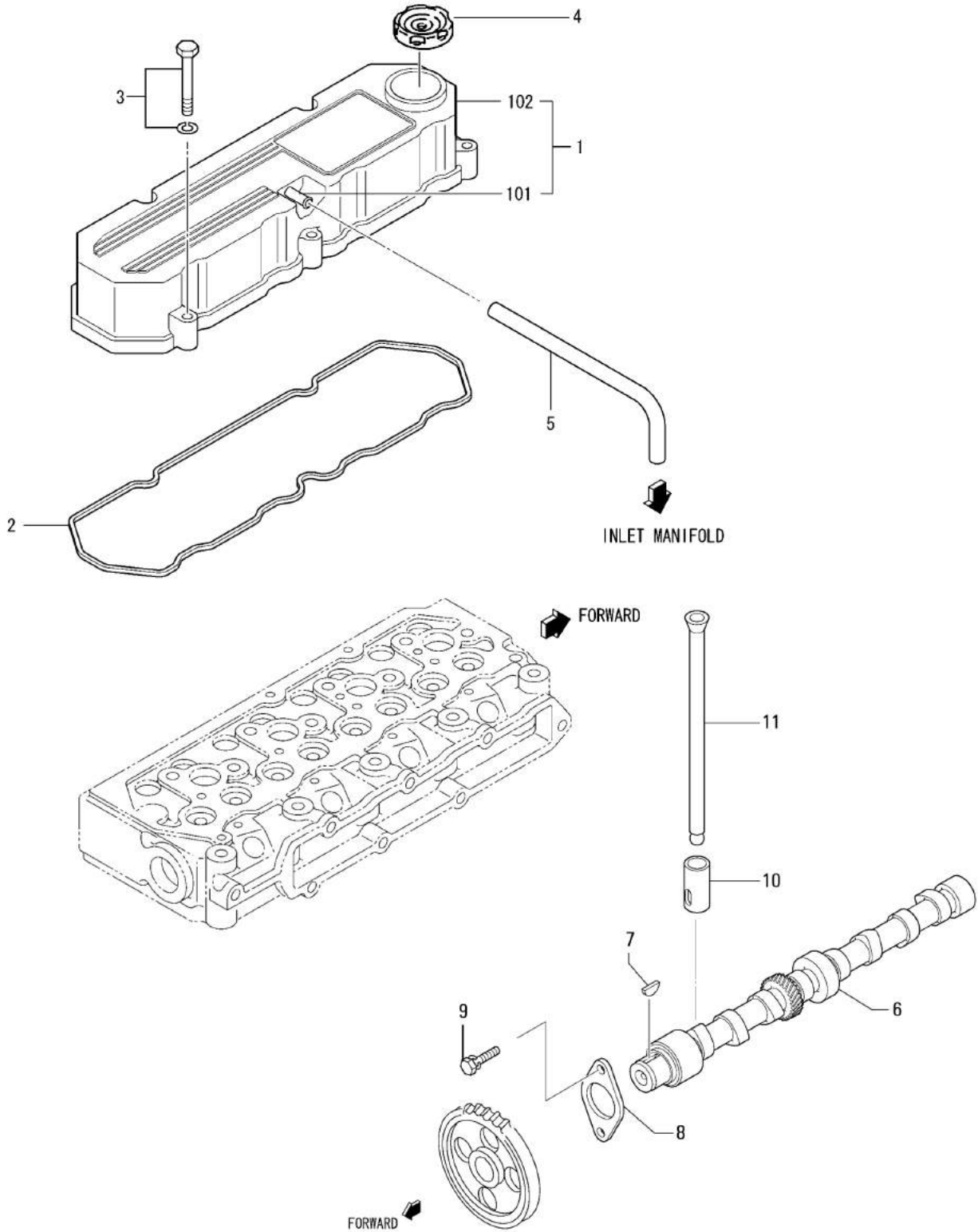
MITSUBISHI PARTS

ELECTRONICS

2.6 CRANKSHAFT & FLYWHEEL



2.7 ROCKER COVER & CAMSHAFT



2.8 TIMING GEAR & CASE

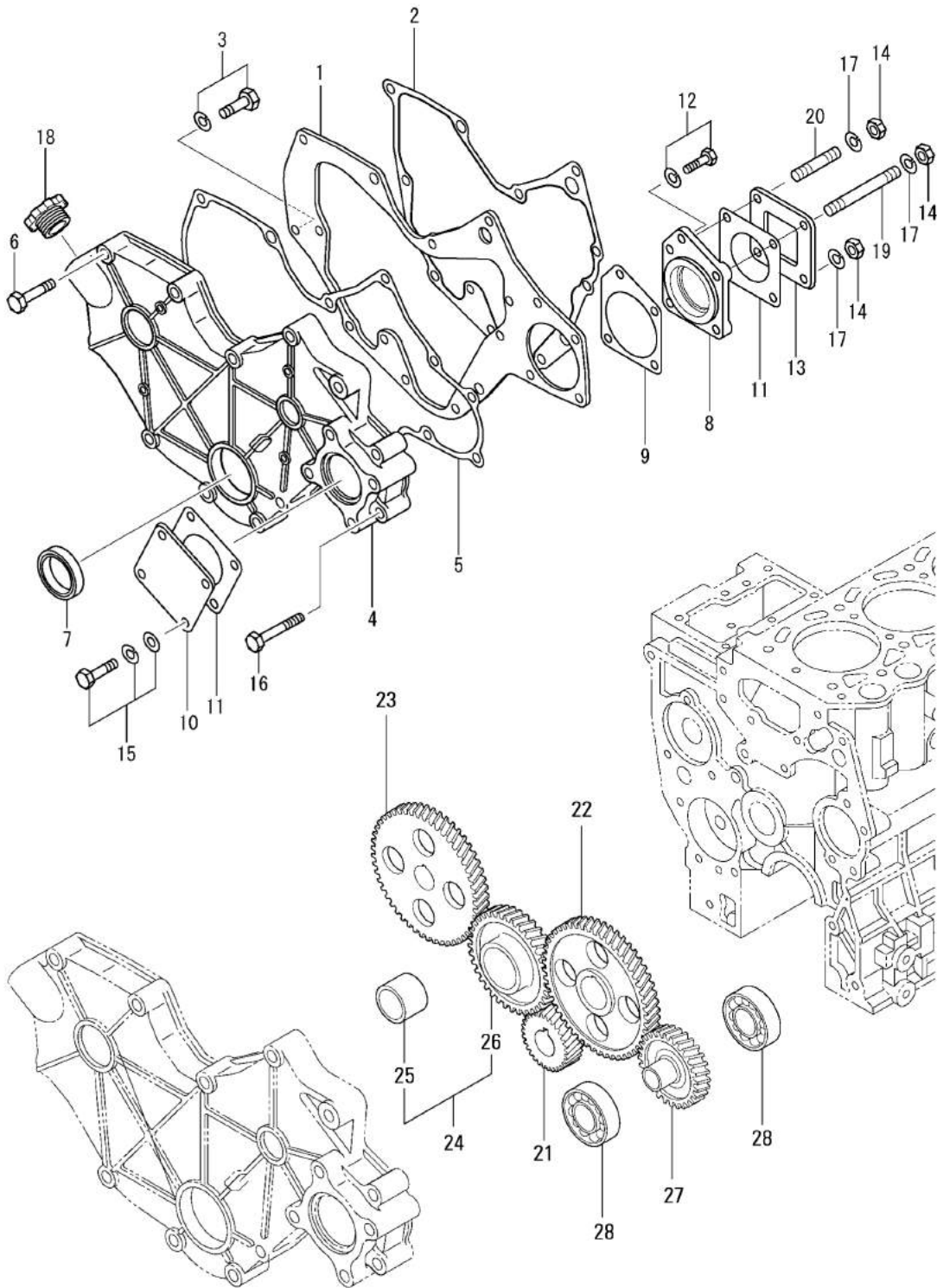
Pos.	Qty	Part	Description	Comment
1	1	AA.400.90131	PLATE, FRONT	
2	1	AA.400.90132	GASKET, FRONT PLATE	
3	5	AA.400.90128	BOLT, WASHER	
4	1	AA.400.90133	CASE, GEAR PTO	
5	1	AA.400.90134	GASKET, GEAR PTO	
6	8	AA.400.90135	BOLT, WASHER	
7	1	AA.400.90136	SEAL, OIL	
8	1	AA.400.90137	HOUSING, GEAR PUMP	
9	1	AA.400.90138	GASKET, HOUSING	
10	1	AA.400.90139	COVER, OIL PUMP	
11	2	AA.400.90140	GASKET, OIL PUMP COVER	
12	1	AA.400.90141	BOLT, WASHER	
13	1	AA.400.90142	COVER, OIL PUMP	
14	4	AA.400.90143	NUT	
15	4	AA.400.90144	BOLT, WASHER	
16	2	AA.400.90145	BOLT	
17	4	AA.400.90146	WASHER, SPRING	
18	1	AA.400.90147	CAP, FILLER	
19	1	AA.400.90148	STUD	
20	1	AA.400.90149	STUD	
21	1	AA.400.90150	GEAR, CRANKSHAFT	
22	1	AA.400.90151	GEAR, CAMSHAFT	
23	1	AA.400.90152	GEAR, PUMP	
24	1	AA.400.90153	GEAR ASSY, IDLER	
25	1		BUSHING, IDLER	
26	1		GEAR, IDLER	
27	1	AA.400.90154	GEAR, PRESSURE OIL PUMP	
28	2	AA.400.90155	BEARING, REAR	

MARINISATION PARTS

MITSUBISHI PARTS

ELECTRONICS

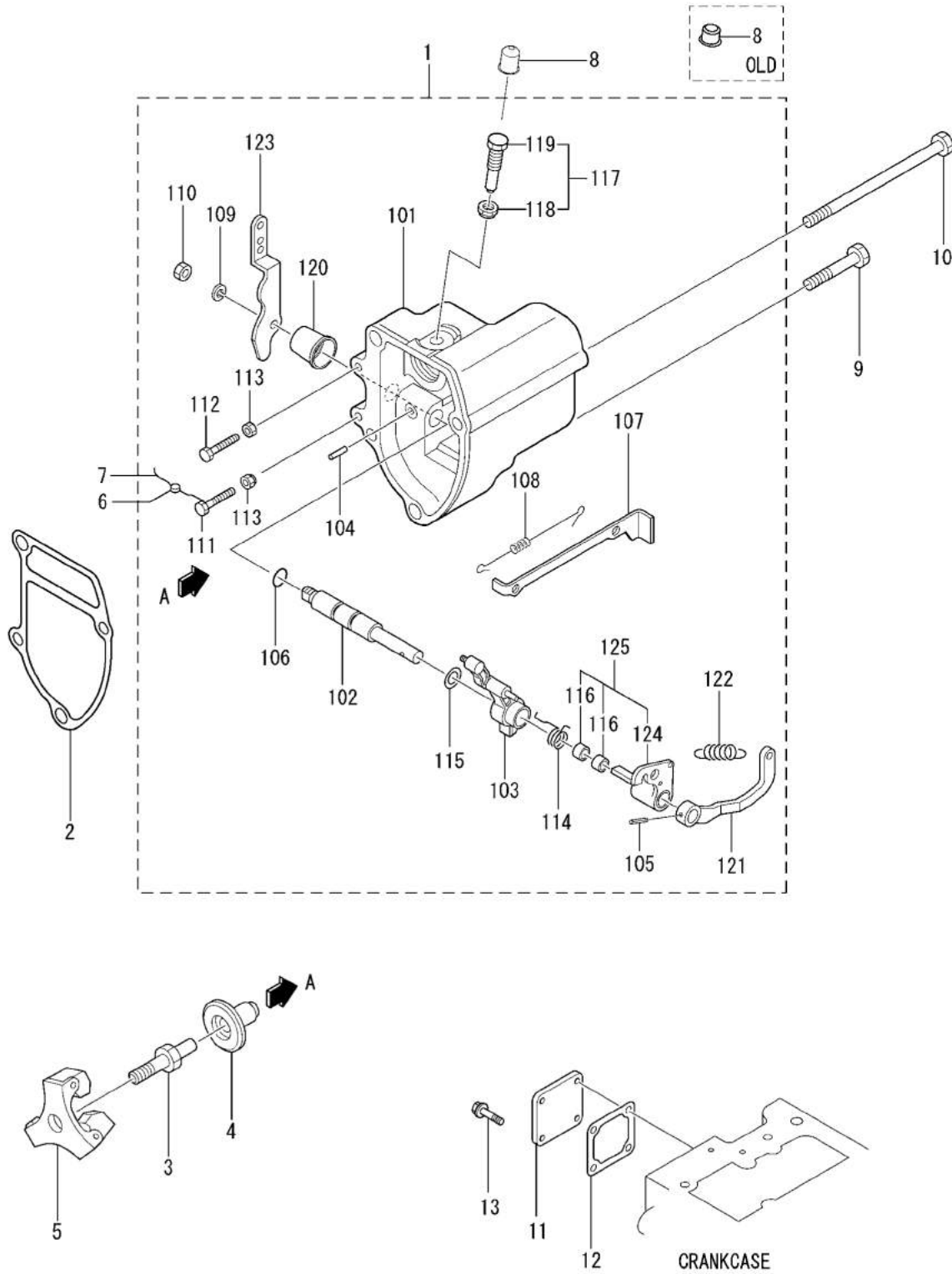
2.8 TIMING GEAR & CASE



2.9 GOVERNOR

Pos.	Qty	Part	Description	Comment
1	1	AA.400.90240	CASE ASSY, GOVERNOR	
101	1	AA.400.90241	CASE, GOVERNOR	
102	1	AA.400.90242	SHAFT, GOVERNOR	
103	1	AA.400.90243	LEVER ASSY, GOVERNOR	
104	1	AA.400.90244	PIN, GROOVED	
105	1	AA.400.90245	PIN, SPRING	
106	1	AA.400.90246	O-RING	
107	1	AA.400.90247	TIE ROD	
108	1	AA.400.90248	SPRING, TIE ROD	
109	1	AA.400.90146	WASHER, SPRING	
110	1	AA.400.90249	NUT, JAM	
111	1	AA.400.90250	BOLT, SPEED SET	
112	1	AA.400.90251	BOLT, LOW IDLE SET	
113	2	AA.400.90252	NUT, JAM	
114	1	AA.400.90253	SPRING, START	
115	1	AA.400.90254	SHIM, GOVERNOR SHAFT	
116	2	AA.400.90255	BEARING, NEEDLE	
117	1		SCREW ASSY, RACK SET	
118	1	AA.400.90256	NUT, TORQUE SET	
119	1	AA.400.90257	SCREW, RACK SET	
120	1	AA.400.90258	COVER, GOVERNOR SHAFT	
121	1	AA.400.90259	LEVER, GOVERNOR SPRING	
122	1	AA.400.90260	SPRING, GOVERNOR	
123	1	AA.400.90261	LEVER, SPEED CONTROL	
124	1	AA.400.90262	LEVER, TENSION	
125	1		LEVER ASSY, GOVERNOR	
2	1	AA.400.00174	GASKET, GOVERNOR CASE	
3	1	AA.400.90263	SHAFT, SLIDING SLEEVE	
4	1	AA.400.90264	WEIGHT ASSY, GOVERNOR	
5	1	AA.400.90265	METAL	
6	1	AA.400.90266	WIRE	
7	1	AA.400.90267	CAP, TORQUE SET	
8	1	AA.400.90268	CAP, TORQUE SET	
9	3	AA.400.90135	BOLT	
10	1	AA.400.90269	BOLT, GOVERNOR CASE	
11	1	AA.400.90270	COVER, TIE ROD	
12	1	AA.400.00175	GASKET, TIE ROD COVER	
13	4	AA.400.90271	BOLT, WASHER	

2.9 GOVERNOR



SPARE PARTS

CM4.33 / CM4.42



2.10 FUEL SYSTEM

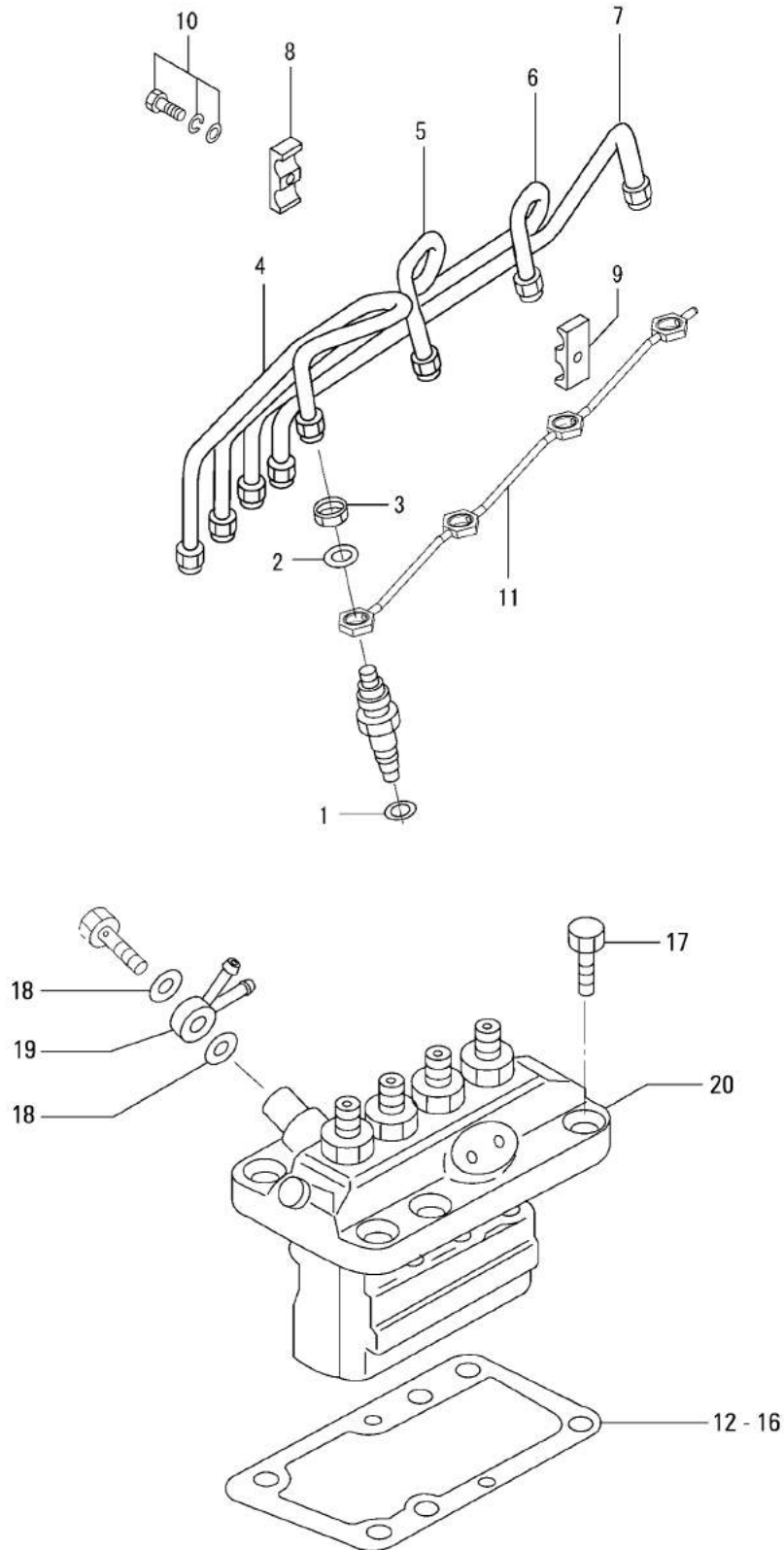
Pos.	Qty	Part	Description	Comment
1	4	AA.400.00172	GASKET, HOLDER	
2	4	AA.400.00173	GASKET, FEUL RETURN	
3	4	AA.400.90272	NUT	
4	1	AA.400.90273	PIPE, INJECTION NO. 1	
5	1	AA.400.90274	PIPE, INJECTION NO. 2	
6	1	AA.400.90275	PIPE, INJECTION NO. 3	
7	1	AA.400.90276	PIPE, INJECTION NO. 4	
8	3	AA.400.90277	CLAMP	
9	3	AA.400.90278	CLAMP	
10	3	AA.400.90279	BOLT, WASHER	
11	1	AA.400.90280	PIPE, FEUL LEAK OFF	
12	1	AA.400.90281	SHIM T=0.7	
13	1	AA.400.90282	SHIM T=0.8	
14	1	AA.400.90283	SHIM T=0.9	
15	1	AA.400.90284	SHIM T=1.0	
16	1	AA.400.90285	SHIM T=0.2	
17	6	AA.400.90058	BOLT	
18	2	AA.400.90286	WASHER, SEAL	
19	1	AA.400.90287	COLLAR, UNION	
20	1	AA.400.90288	PUMP ASSY	

MARINISATION PARTS

MITSUBISHI PARTS

ELECTRONICS

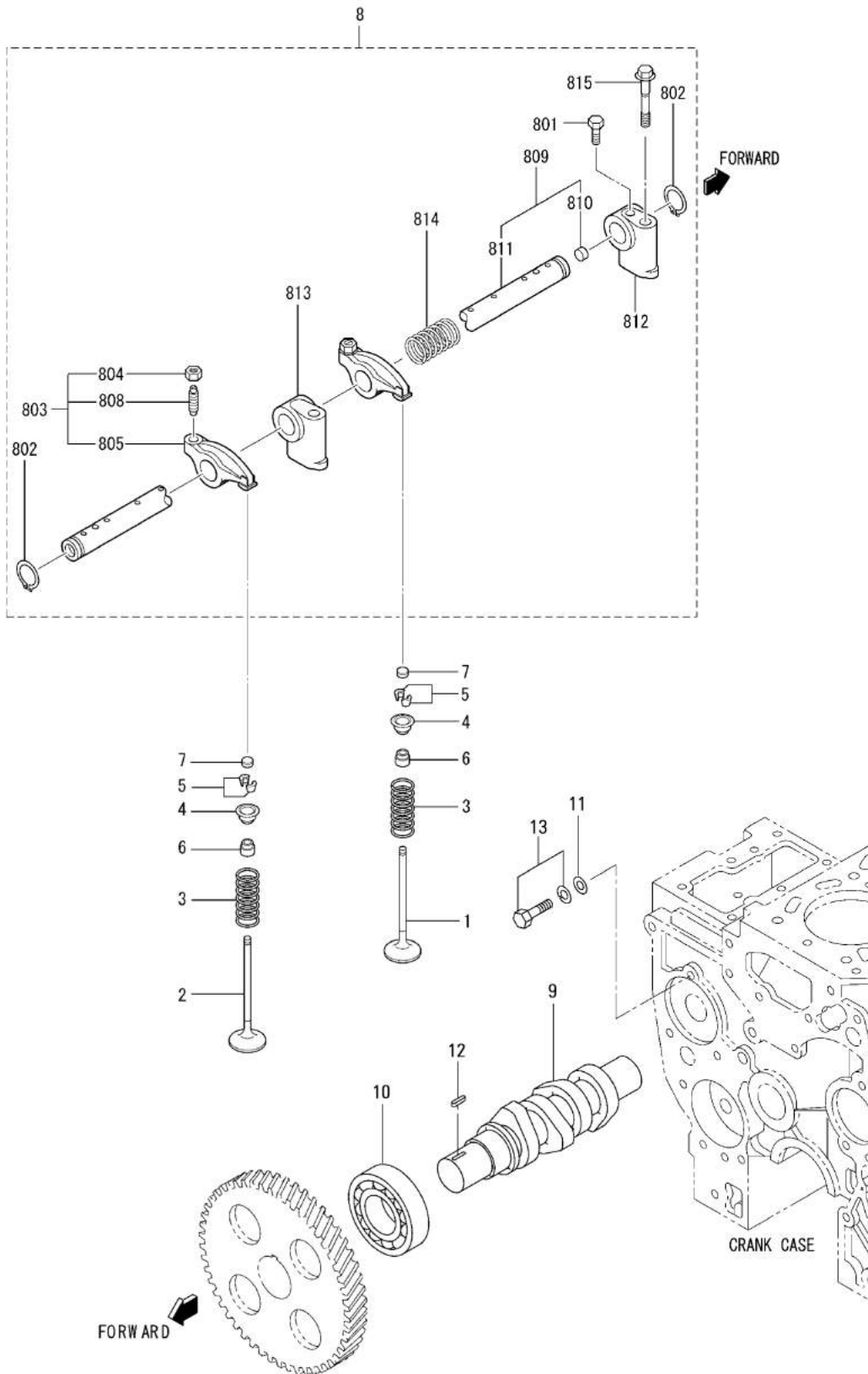
2.10 FUEL SYSTEM



2.11 FUEL INJECTION PUMP DRIVE

Pos.	Qty	Part	Description	Comment
1	4	AA.400.90084	VALVE, INLET	
2	4	AA.400.90085	VALVE, EXHAUST	
3	8	AA.400.90086	SPRING, VALVE	
4	8	AA.400.90087	RETAINER, VALVE STEM	
5	16	AA.400.90088	LOCK, VALVE SPRING	
6	8	AA.400.90089	SEAL, VALVE STEM	
7	8	AA.400.90090	CAP, VALVE STEM	
8	1	AA.400.90091	ROCKER, SHAFT ASSEMBLY	
801	1	AA.400.90092	BOLT	
802	2	AA.400.90093	RING, SNAP	
803	8	AA.400.90094	ROCKER ASSEMBLY	
804	8	AA.400.90095	NUT, JAM	
805	8		ROCKER ARM	
808	8	AA.400.90096	SCREW, ROCKER	
809	1	AA.400.90097	SHAFT ASSY, ROCKER	
810	2	AA.400.90098	CAP, SEALING	
811	1		SHAFT, ROCKER	
812	1	AA.400.90099	BRACKET, ROCKET SHAFT	
813	3	AA.400.90100	BRACKET, ROCKER SHAFT	
814	3	AA.400.90102	SPRING, ROCKER	
815	4	AA.400.90103	BOLT, ROCKER BRACKET	
9	1	AA.400.90104	SHAFT, FUEL INJECTION PUMP	
10	1	AA.400.90105	RADIAL BALL BEARING	
11	1	AA.400.90106	WASHER	
12	1	AA.400.90107	KEY, SUNK	
13	1	AA.400.90108	BOLT, WASHER	

2.11 FUEL INJECTION PUMP DRIVE



2.12 INJECTION PUMP

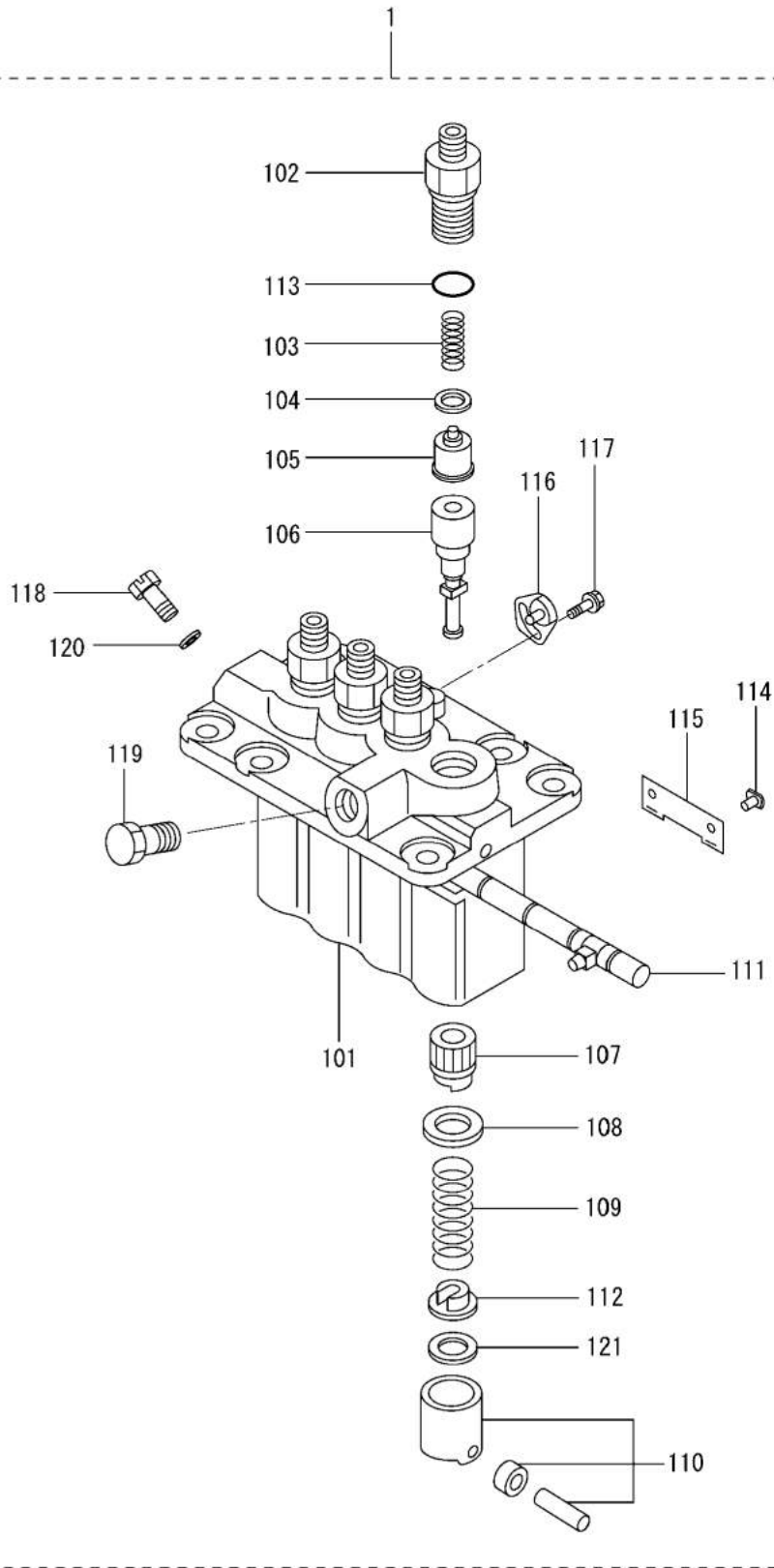
Pos.	Qty	Part	Description	Comment
1	1	AA.400.90288	PUMP ASSY, FUEL INJECTION	
101	1	AA.400.90289	HOUSING SUB ASSY	
102	4	AA.400.90290	HOLDER, DELIVERY	
103	4	AA.400.90291	SPRING, DELIVERY	
104	4	AA.400.90292	GASKET, DELIVERY	
105	4	AA.400.90293	VALVE SUB ASSY	
106	4	AA.400.90294	ELEMENT SUB ASSY	
107	4	AA.400.90295	SLEEVE, CONTROL	
108	4	AA.400.90296	SEAT, SPRING	
109	4	AA.400.90297	SPRING, PLUNGER	
110	4	AA.400.90298	TAPPET SUB ASSY	
111	1	AA.400.90299	RACK ASSY, CONTROL	
112	4	AA.400.90300	SEAT, SPRING	
113	4	AA.400.90301	O-RING	
114	4	AA.400.90302	PIN, TAPPET	
115	2	AA.400.90303	PLATE	
116	3	AA.400.90304	PLATE, ADJUSTING	
117	3	AA.400.90305	BOLT, WASHER	
118	1	AA.400.90306	SCREW, AIR BLEEDER	
119	1	AA.400.90307	SCREW, HOLLOW	
120	1	AA.400.90308	WASHER, PIPE UNION	
121	1	AA.400.90309	SHIM T=0.60	
	1	AA.400.90310	SHIM T=0.20	
	1	AA.400.90311	SHIM T=0.30	
	1	AA.400.90312	SHIM T=0.40	
	1	AA.400.90313	SHIM T=0.50	
	1	AA.400.90314	SHIM T=0.25	
	1	AA.400.90315	SHIM T=0.35	
	1	AA.400.90316	SHIM T=0.45	
	1	AA.400.90317	SHIM T=0.55	
	1	AA.400.90318	SHIM T=0.65	

MARINISATION PARTS

mitsubishi PARTS

ELECTRONICS

2.12 INJECTION PUMP



2.13 NOZZLE & NOZZLE HOLDER

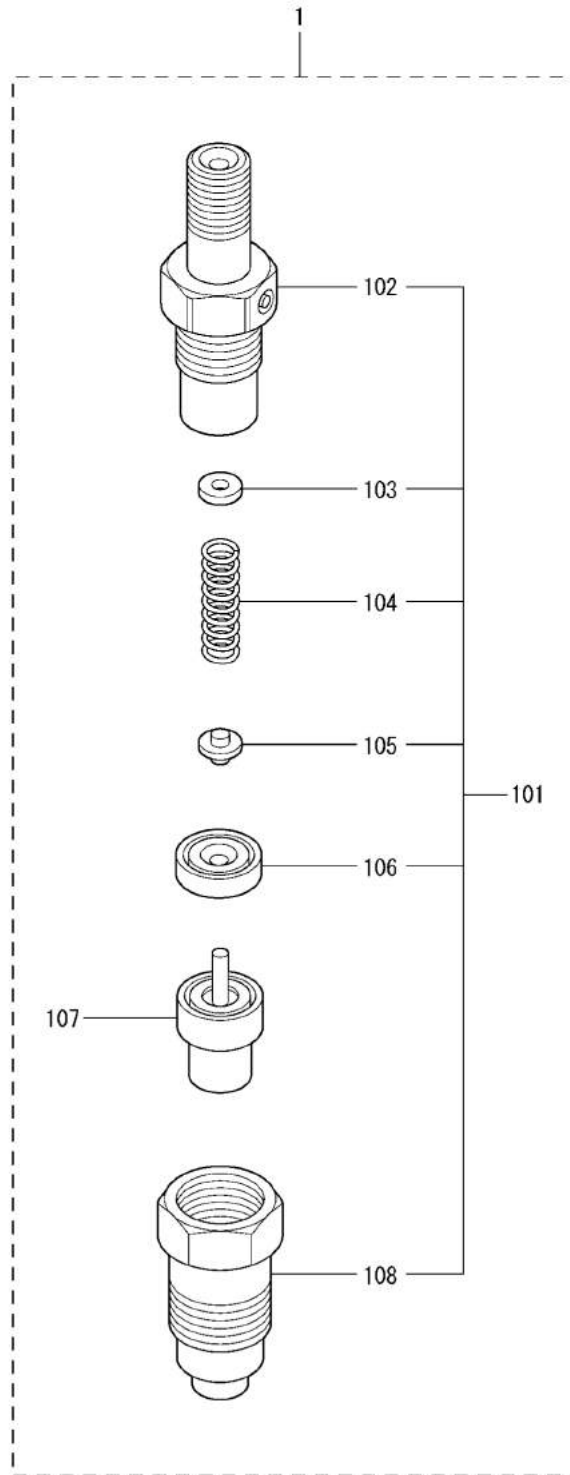
Pos.	Qty	Part	Description	Comment
1	4	AA.400.90319	NOZZLE & HOLDER ASSY	
101	4	AA.400.90320	HOLDER ASSY	
102	4	AA.400.90321	BODY SUB ASSY	
103		AA.400.90322	WASHER T=1.25	
		AA.400.90323	WASHER T=1.30	
		AA.400.90324	WASHER T=1.35	
		AA.400.90325	WASHER T=1.40	
		AA.400.90326	WASHER T=1.45	
		AA.400.90327	WASHER T=1.50	
		AA.400.90328	WASHER T=1.55	
		AA.400.90329	WASHER T=1.60	
		AA.400.90330	WASHER T=1.65	
		AA.400.90331	WASHER T=1.70	
104	4	AA.400.90332	SPRING, PRESSURE	
105	4	AA.400.90333	PIN, PRESSURE	
106	4	AA.400.90334	PIECE, DISTANCE	
107	4	AA.400.90335	NOZZLE ASSY	
108	4	AA.400.90336	NUT, NOZZLE RETAINING	

MARINISATION PARTS

MITSUBISHI PARTS

ELECTRONICS

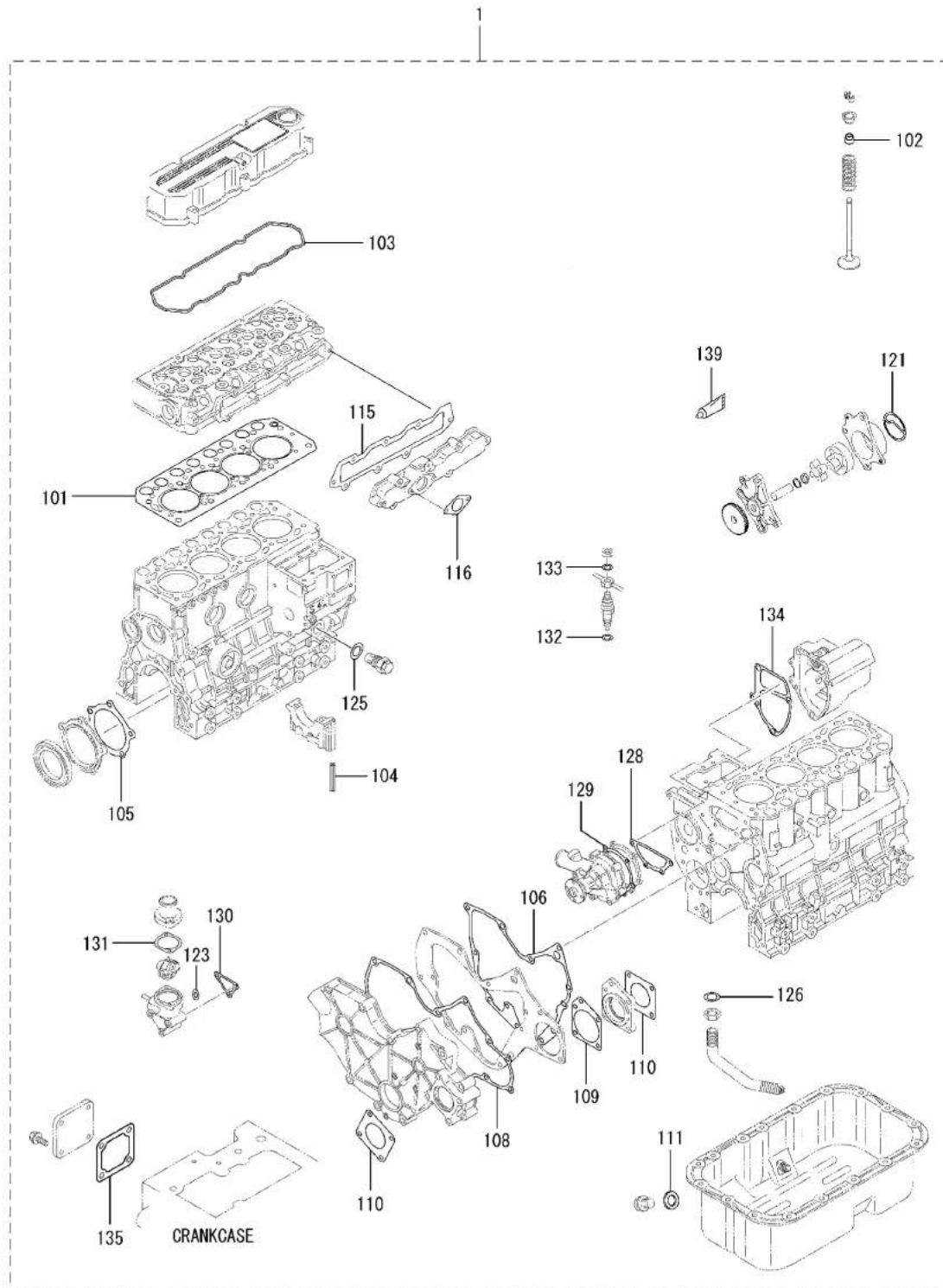
2.13 NOZZLE & NOZZLE HOLDER



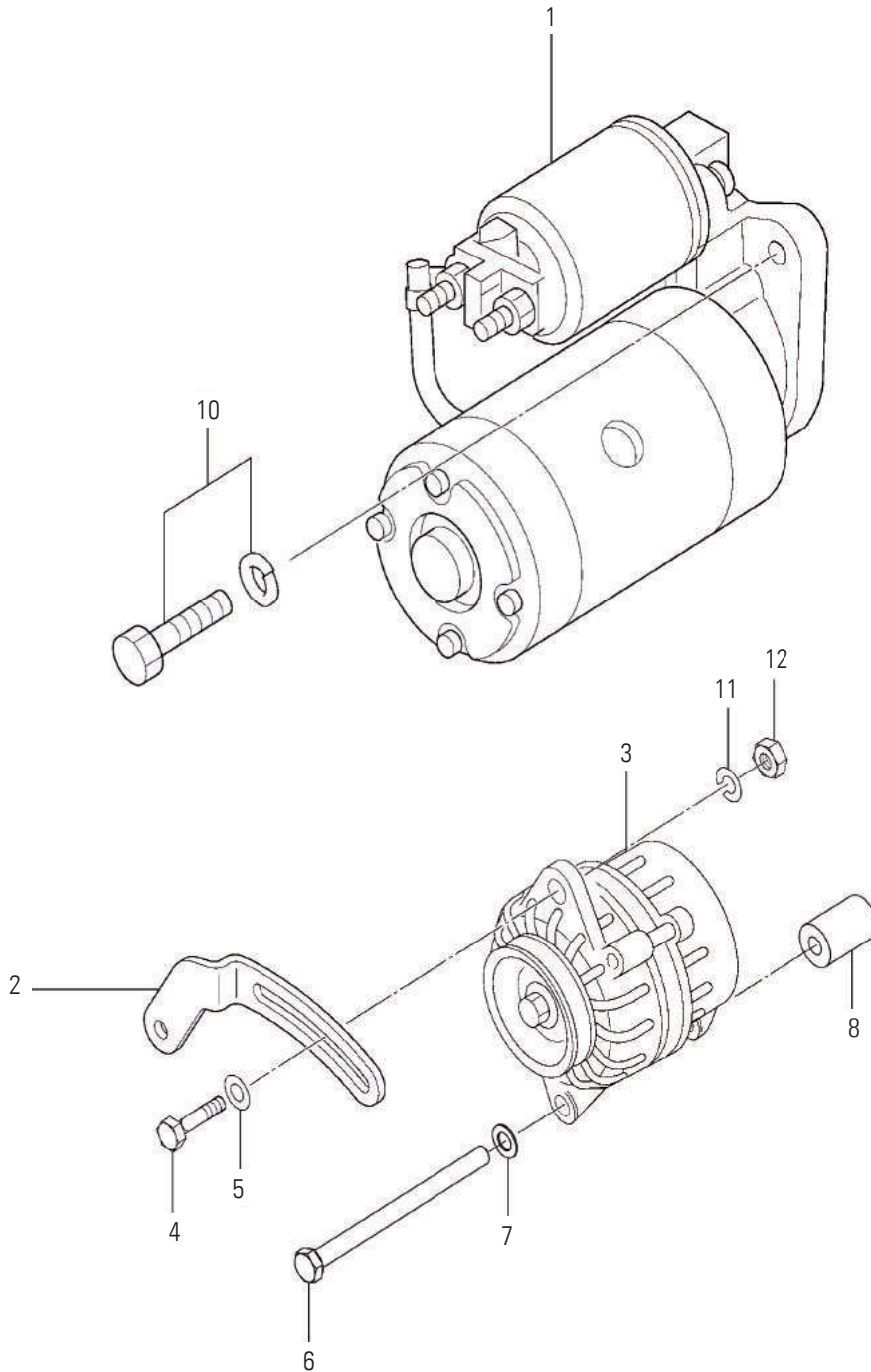
2.14 GASKET KIT

Pos.	Qty	Part	Description	Comment
1	1	AA.400.90174	GASKET KIT, OVERHAUL COMPLETE	
101	1	AA.400.90119	GASKET, CYLINDER HEAD	
102	8	AA.400.90089	SEAL, VALVE STEM	
103	1	AA.400.90123	GASKET, ROCKER COVER	
104	4	AA.400.90052	SEAL, SIDE	
105	1	AA.400.90056	GASKET, OIL SEAL CASE	
106	1	AA.400.90132	GASKET, FRONT PLATE	
107	1	AA.400.90175	GASKET, REAR PLATE	NOT SHOWN
108	1	AA.400.90134	GASKET, GEAR CASE	NOT SHOWN
109	1	AA.400.90138	GASKET, HOUSING	
110	2	AA.400.90140	GASKET, OIL PUMP COVER	
111	1	AA.400.90166	GASKET, OIL DRAIN	
112	2	AA.400.90176	GASKET	NOT SHOWN
113	1	AA.400.90177	O-RING	NOT SHOWN
114	1	AA.400.90178	O-RING	NOT SHOWN
115	1	AA.400.90169	GASKET, INLET COVER	
116	1	AA.400.90172	GASKET, INLET PIPE	
117	2	AA.400.90179	GASKET	NOT SHOWN
118	1	AA.400.90025	GASKET EXHAUST MANFOLD	NOT SHOWN
119	3	AA.400.90180	GASKET	NOT SHOWN
120	1	AA.400.90181	GASKET	NOT SHOWN
121	1	AA.400.90162	GASKET, BODY	
123	4	AA.300.91181	SEAL WASHER	
124	1	AA.400.90182	O-RING	NOT SHOWN
125	1	AA.400.90157	GASKET	
126	1	AA.400.90160	GASKET	
127	1	AA.400.90183	O-RING	NOT SHOWN
128	1	AA.400.90184	GASKET, WATER PUMP	
129	1	AA.400.90185	GASKET, WATER PUMP	
130	1	AA.400.90186	GASKET, THERMOSTAT CASE	
131	1	AA.400.90187	GASKET, THERMOSTAT	
132	4	AA.400.90188	GASKET, HOLDER	
133	4	AA.400.90189	GASKET, FUEL RETURN	
134	1	AA.400.90190	GASKET, GOVERNOR CASE	
135	1	AA.400.90191	GASKET, TIE ROD COVER	
136	1	AA.400.90192	PROTECTOR	NOT SHOWN
137	1	AA.400.90193	GASKET	NOT SHOWN
138	2	AA.400.90194	GASKET	NOT SHOWN
139	1	AA.400.90195	GASKET, LIQUID	NOT SHOWN
140	1	AA.400.90196	O-RING	NOT SHOWN
141	2	AA.400.90197	GASKET	NOT SHOWN

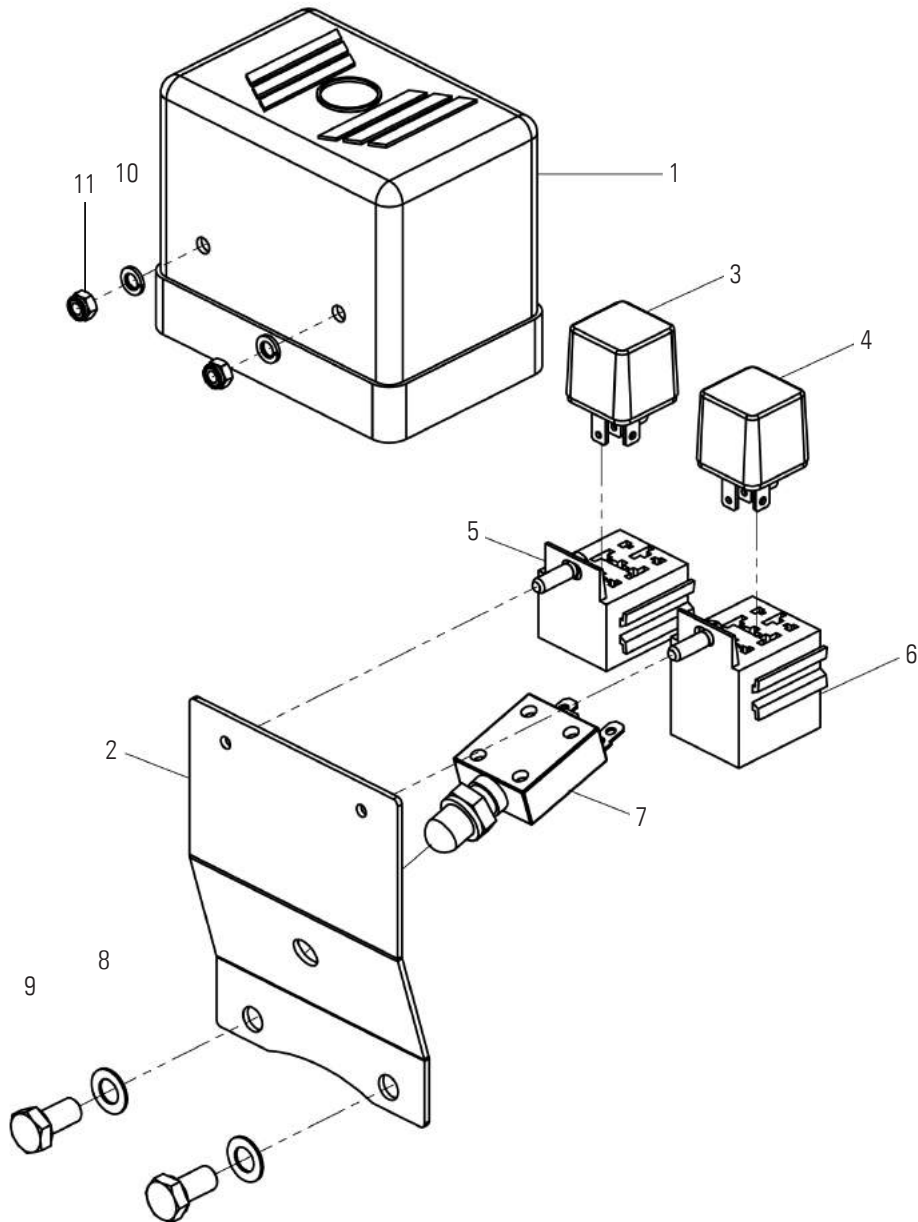
2.14 GASKET KIT



3.1 STARTER MOTOR & ALTERNATOR



3.2 TERMINAL BOX



SPARE PARTS

CM4.33 / CM4.42



3.3 SENSORS

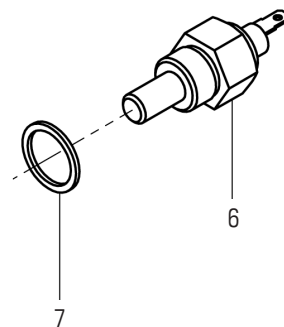
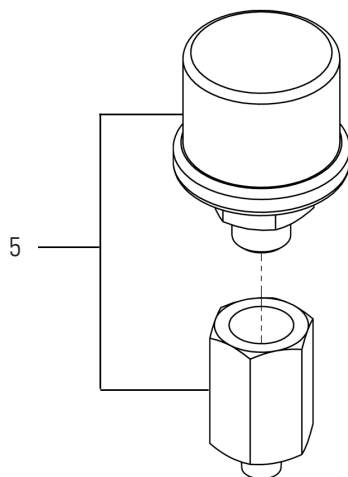
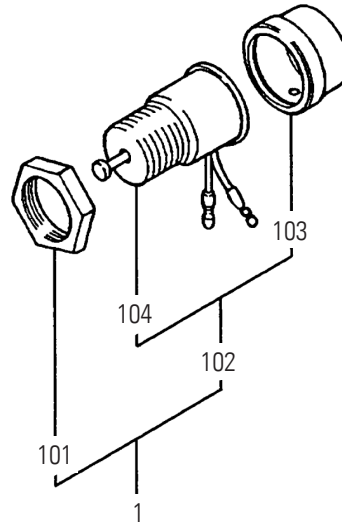
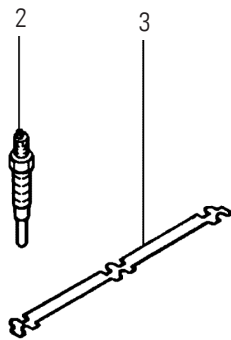
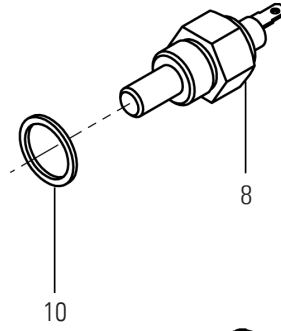
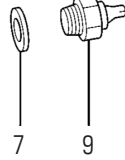
Pos.	Qty	Part	Description	Comment
1	1	AA.300.91321	SOLENOID & NUT SET	
101	1	AA.300.91322	NUT	
102	1	AA.300.91323	SOLENOID, TUBULAR	
103	1	AA.300.91324	CAP, GUM	
104	1		SOLENOID	
2	1	AA.400.90230	GLOW PLUG	
3	1	AA.400.90231	CONNECTION PLATE	
4	1	AA.300.91078	SWITCH, OIL PRESSURE	
5	1	DB.020.20001	OILPRESSURE SENSOR KIT R1/8	
6	1	AA.400.90232	TEMP.SENSOR 40-120C M16X1,5	
7	1	AA.300.91181	SEAL WASHER M16	
8	1	AA.010.90004	THERMO SWITCH 75C RAW WATER M18x1,5	
9	1	AA.300.91193	TEMP SWITCH COOLANT M16x1,5	
10	1	AA.300.90098	SEAL WASHER M18	

MARINISATION PARTS

mitsubishi parts

electronics

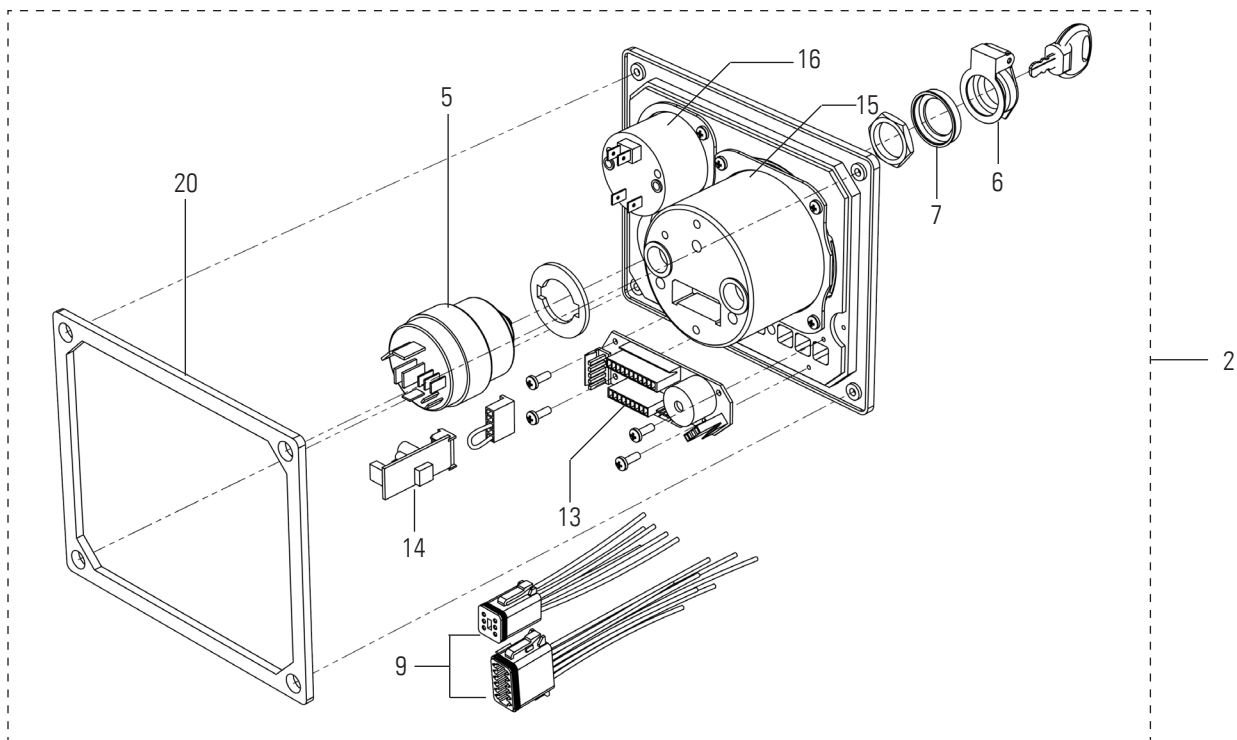
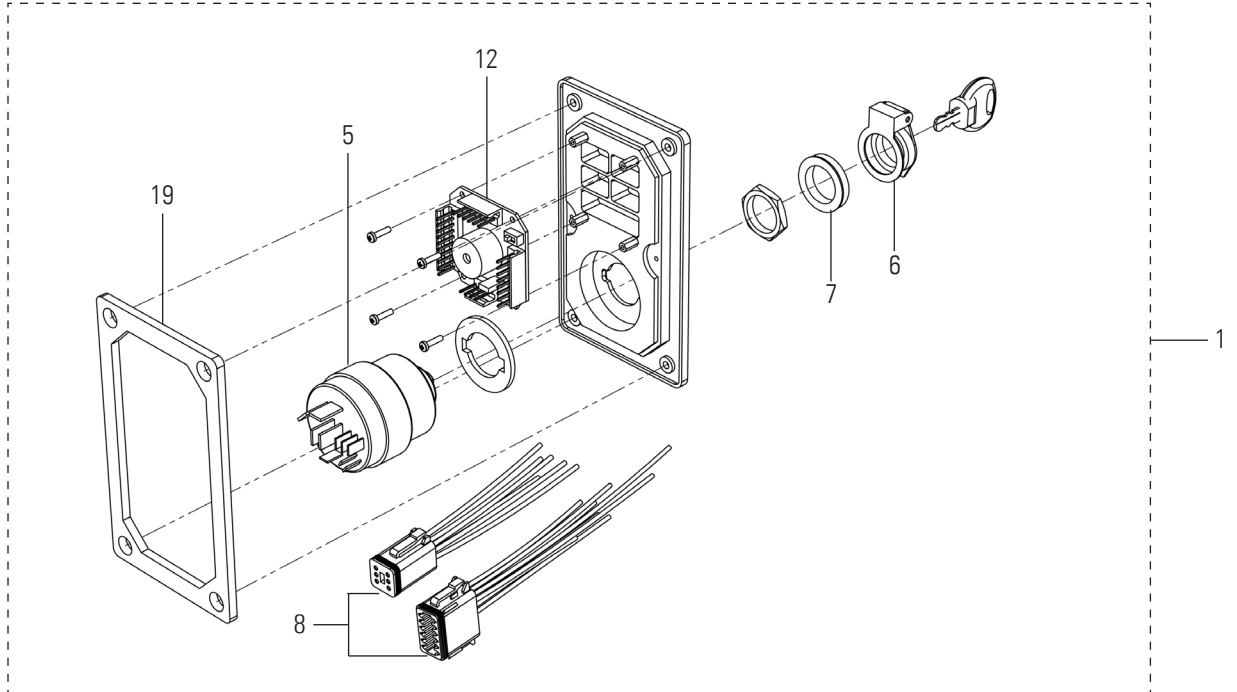
3.3 SENSORS



3.4 INSTRUMENT PANEL

Pos.	Qty	Part	Description	Comment
1	1	AB.010.20000	ALFA 10E ENGINE PANEL COMPLETE	
2	1	AB.020.20000	ALFA 20E ENGINE PANEL COMPLETE	
3	1	AB.030.20000	ALFA 30E ENGINE PANEL COMPLETE	
4	1	AB.040.20000	ALFA 40E ENGINE PANEL COMPLETE	
5	1	AB.010.90001	IGNITION SWITCH COMPLETE	
6	1	AB.010.90002	DUSTCOVER	
7	1	AB.010.90003	CAP	
8	1	AB.010.00002	WIRING LOOM ALFA 10E	
9	1	AB.020.00002	WIRING LOOM ALFA 20E	
10	1	AB.030.00002	WIRING LOOM ALFA 30E	
11	1	AB.040.00002	WIRING LOOM ALFA 40E	NOT SHOWN
12	1	AB.010.00003	PCB ALFA 10E	
13	1	AB.020.00003	PCB ALFA 20E/ALFA 30E/ALFA 40E	
14	1	AB.010.00004	DIMMER PCB	
15	1	DB.010.20001	TACHOMETER, BLACK	
		DB.010.21001	TACHOMETER, WHITE	
16	1	DB.010.20004	VOLTMETER, BLACK	
		DB.010.21004	VOLTMETER, WHITE	
17	1	DB.010.20003	TEMPERATURE GAUGE, BLACK	
		DB.010.21003	TEMPERATURE GAUGE, WHITE	
18	1	DB.010.20002	OIL PRESSURE GAUGE, BLACK	
		DB.010.21002	OIL PRESSURE GAUGE, WHITE	
19	1	AB.010.00004	GASKET ALFA 10E	
20	1	AB.020.00004	GASKET ALFA 20E	
21	1	AB.030.00004	GASKET ALFA 30E	
22	1	AB.040.00004	GASKET ALFA 40E	
23	1	AA.300.90149	MOUNTING SET ALFA 10/20/30	NOT SHOWN
24	1	AA.300.90150	MOUNTING SET ALFA 40	
25	1	AA.300.90151	FRONT STICKER ALFA 10	NOT SHOWN
		AA.300.90152	FRONT STICKER ALFA 20	NOT SHOWN
		AA.300.90153	FRONT STICKER ALFA 30	NOT SHOWN
		AA.300.90154	FRONT STICKER ALFA 40	NOT SHOWN
26	1	AA.300.90155	ALUMINIUM FRONT ALFA 40	

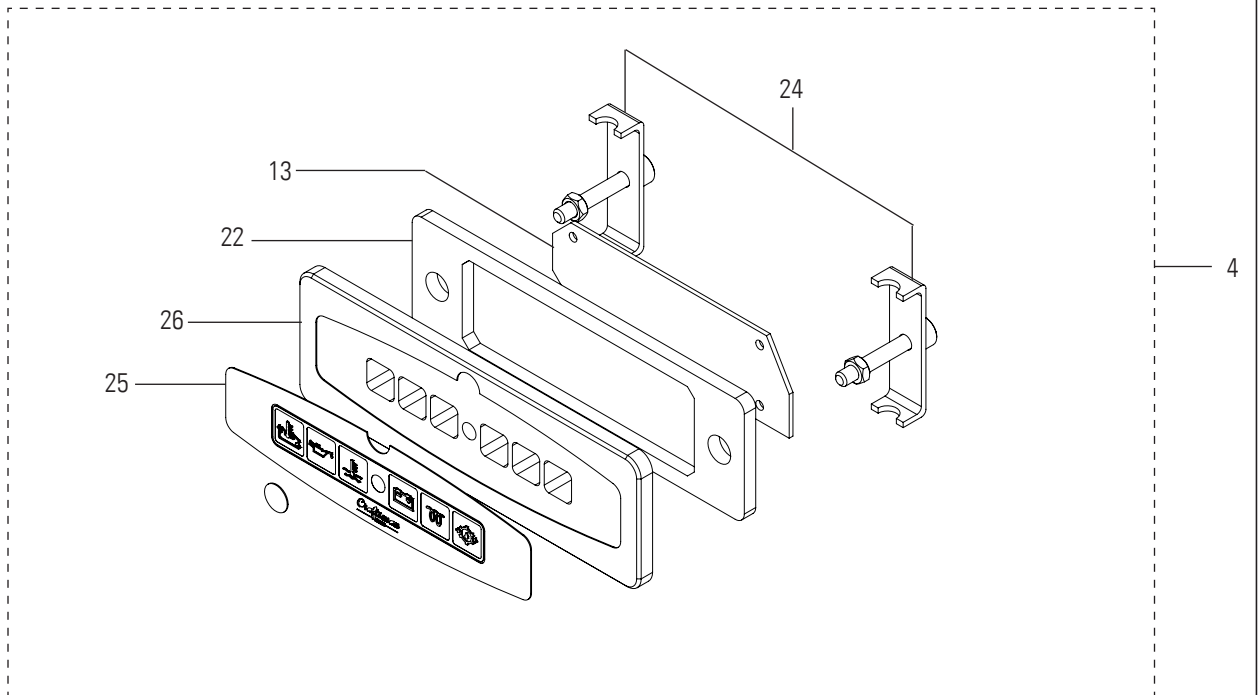
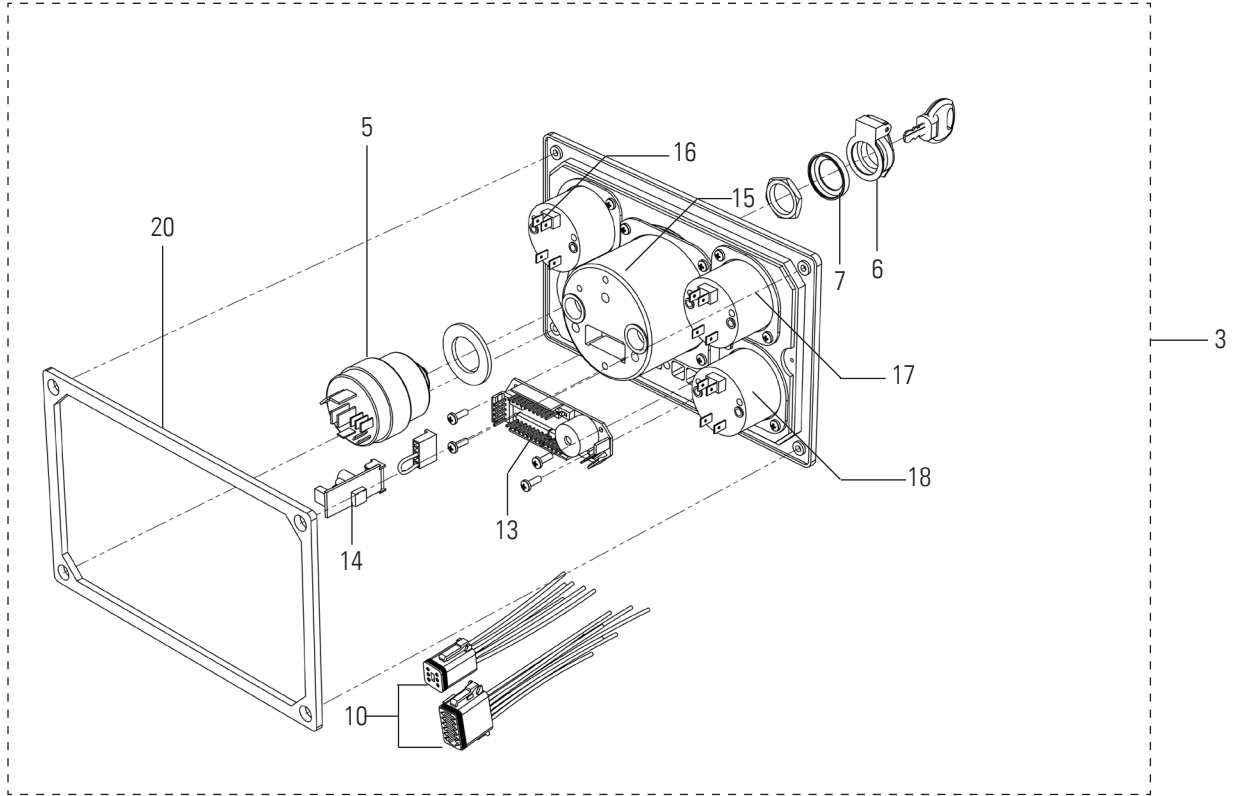
3.4 INSTRUMENT PANEL



3.5 INSTRUMENT PANEL

Pos.	Qty	Part	Description	Comment
1	1	AB.010.20000	ALFA 10E ENGINE PANEL COMPLETE	
2	1	AB.020.20000	ALFA 20E ENGINE PANEL COMPLETE	
3	1	AB.030.20000	ALFA 30E ENGINE PANEL COMPLETE	
4	1	AB.040.20000	ALFA 40E ENGINE PANEL COMPLETE	
5	1	AB.010.90001	IGNITION SWITCH COMPLETE	
6	1	AB.010.90002	DUSTCOVER	
7	1	AB.010.90003	CAP	
8	1	AB.010.00002	WIRING LOOM ALFA 10E	
9	1	AB.020.00002	WIRING LOOM ALFA 20E	
10	1	AB.030.00002	WIRING LOOM ALFA 30E	
11	1	AB.040.00002	WIRING LOOM ALFA 40E	NOT SHOWN
12	1	AB.010.00003	PCB ALFA 10E	
13	1	AB.020.00003	PCB ALFA 20E/ALFA 30E/ALFA 40E	
14	1	AB.010.00004	DIMMER PCB	
15	1	DB.010.20001	TACHOMETER, BLACK	
		DB.010.21001	TACHOMETER, WHITE	
16	1	DB.010.20004	VOLTMETER, BLACK	
		DB.010.21004	VOLTMETER, WHITE	
17	1	DB.010.20003	TEMPERATURE GAUGE, BLACK	
		DB.010.21003	TEMPERATURE GAUGE, WHITE	
18	1	DB.010.20002	OIL PRESSURE GAUGE, BLACK	
		DB.010.21002	OIL PRESSURE GAUGE, WHITE	
19	1	AB.010.00004	GASKET ALFA 10E	
20	1	AB.020.00004	GASKET ALFA 20E	
21	1	AB.030.00004	GASKET ALFA 30E	
22	1	AB.040.00004	GASKET ALFA 40E	
23	1	AA.300.90149	MOUNTING SET ALFA 10/20/30	NOT SHOWN
24	1	AA.300.90150	MOUNTING SET ALFA 40	
25	1	AA.300.90151	FRONT STICKER ALFA 10	NOT SHOWN
		AA.300.90152	FRONT STICKER ALFA 20	NOT SHOWN
		AA.300.90153	FRONT STICKER ALFA 30	NOT SHOWN
		AA.300.90154	FRONT STICKER ALFA 40	NOT SHOWN
26	1	AA.300.90155	ALUMINIUM FRONT ALFA 40	

3.5 INSTRUMENT PANEL

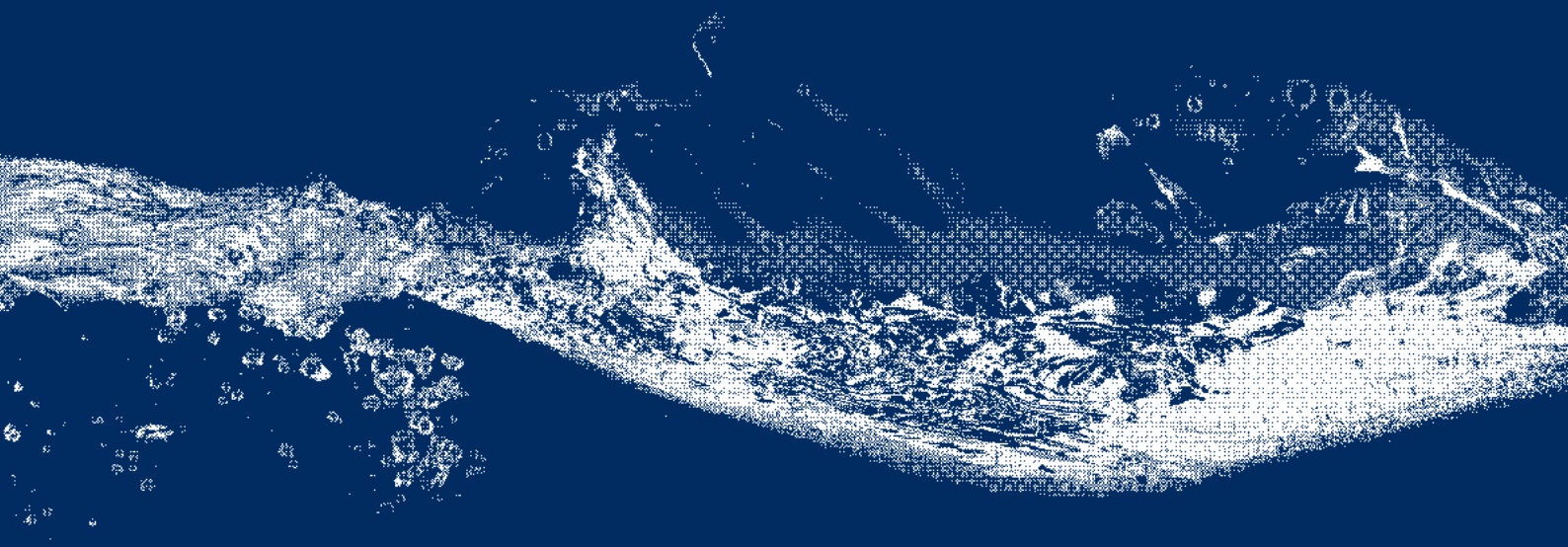




ZD-010-015.2.1.01.11

info@craftsmanmarine.com
www.craftsmanmarine.com

Printed in the Netherlands



CRAFTED WITH CRAFTSMAN MARINE