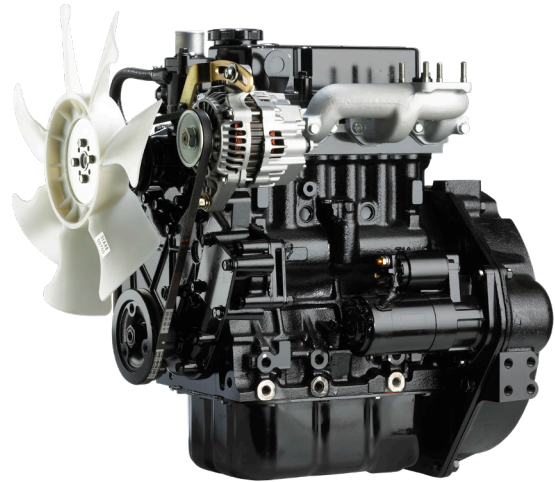


## S3L2-Z564SP

18.4 kWm @ 2400 rpm | VARIABLE SPEED

# MITSUBISHI DIESEL ENGINE

COMPACT AND RELIABLE



### ENGINE DATA

Engine model	S3L2-Z564SP
Engine type	4-stroke, diesel
Cylinder configuration	3 in-line
Bore x stroke (mm)	78 x 92
Total displacement (l)	1.318
Aspiration	natural
Dry weight (kg)	135
Emission	EU Stage V

Cooling system	water-cooled, forced circulation by centrifugal pump with thermostat
Combustion system	indirect injection, swirl chamber type
Fuel injection system	pump-line-nozzle (in-line pump)
Electrical system (V / A)	12 / 65
Starting system (V / kW)	12 / 1.7
Rotation (ISO 1204)	counterclockwise
Flywheel and housing	semi: SAE 7.5" / SAE #5

### RATING<sup>1</sup>

	Gross		Net
	w/o fan		with fan
Output (kWm)	18.4		17.7
Output (bhp)	24.7		23.7
Engine speed (rpm)	2400		

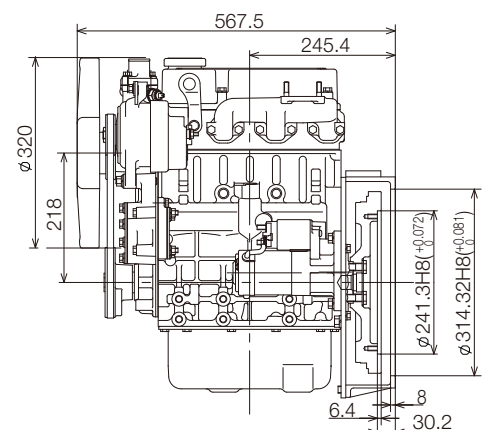
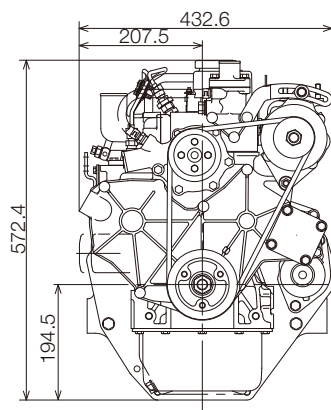
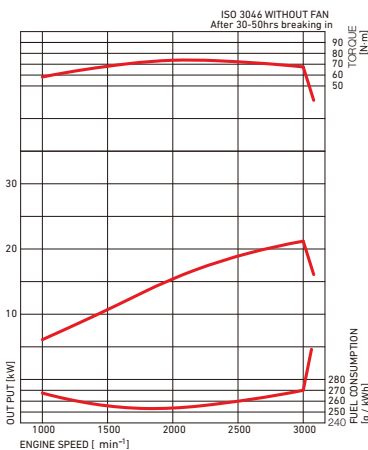
### Gross

Fuel consumption 100% load (g/kWh) <sup>2</sup>	270
Max. torque (Nm)	76.3
Side gear PTO (Nm)	39.2

<sup>1</sup> Rating definition according ISO3046, rating tolerance ±5% of nominal. <sup>2</sup> Fuel consumption is based on ISO3046/1 with ±8% tolerance at 100% rated power.

### PERFORMANCE CURVE

### DIMENSIONS



#### More information

Contact your local dealer for more information regarding Mitsubishi Diesel Engines and optional equipment or, visit [www.mtee.eu/engines](http://www.mtee.eu/engines)

© Mitsubishi Turbocharger and Engine Europe B.V. | This specification may be revised without prior notice. All pictures shown are for illustration purpose only.

MOVE THE WORLD FORWARD  **MITSUBISHI  
HEAVY  
INDUSTRIES  
GROUP**