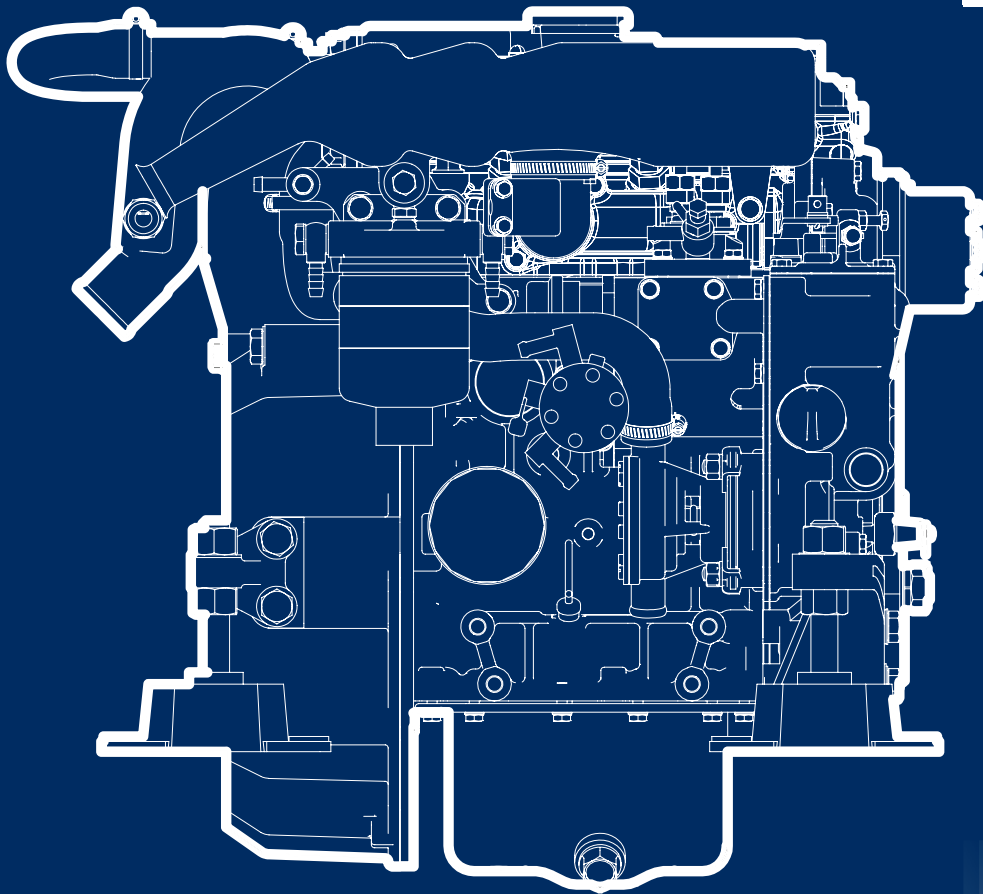




Craftsman
MARINE



SPARE PARTS

CATALOGUE **cm 2.16**

CRAFTED WITH CRAFTSMAN MARINE

PROPULSION

Disclaimer

The specifications and the descriptions in this spareparts book were correct at the time of going to press. However, Craftsman Marine is continuously striving after the improvement of its products and therefore reserves the right to modify – at all times and without prior notification - product specifications and instruction manuals.

1.0 MARINISATION PARTS

1.1 SPARES SET	PAGE 4
1.2 AIR INTAKE	PAGE 6
1.3 FUEL FILTER	PAGE 8
1.4 ENGINE SUPPORT	PAGE 10
1.5 HEAT EXCHANGE	PAGE 12
1.6 KEELCOOLER MANIFOLD	PAGE 14
1.7 HOSES	PAGE 16
1.8 RAW WATER PUMP	PAGE 18
1.9 FLYWHEEL HOUSING	PAGE 20

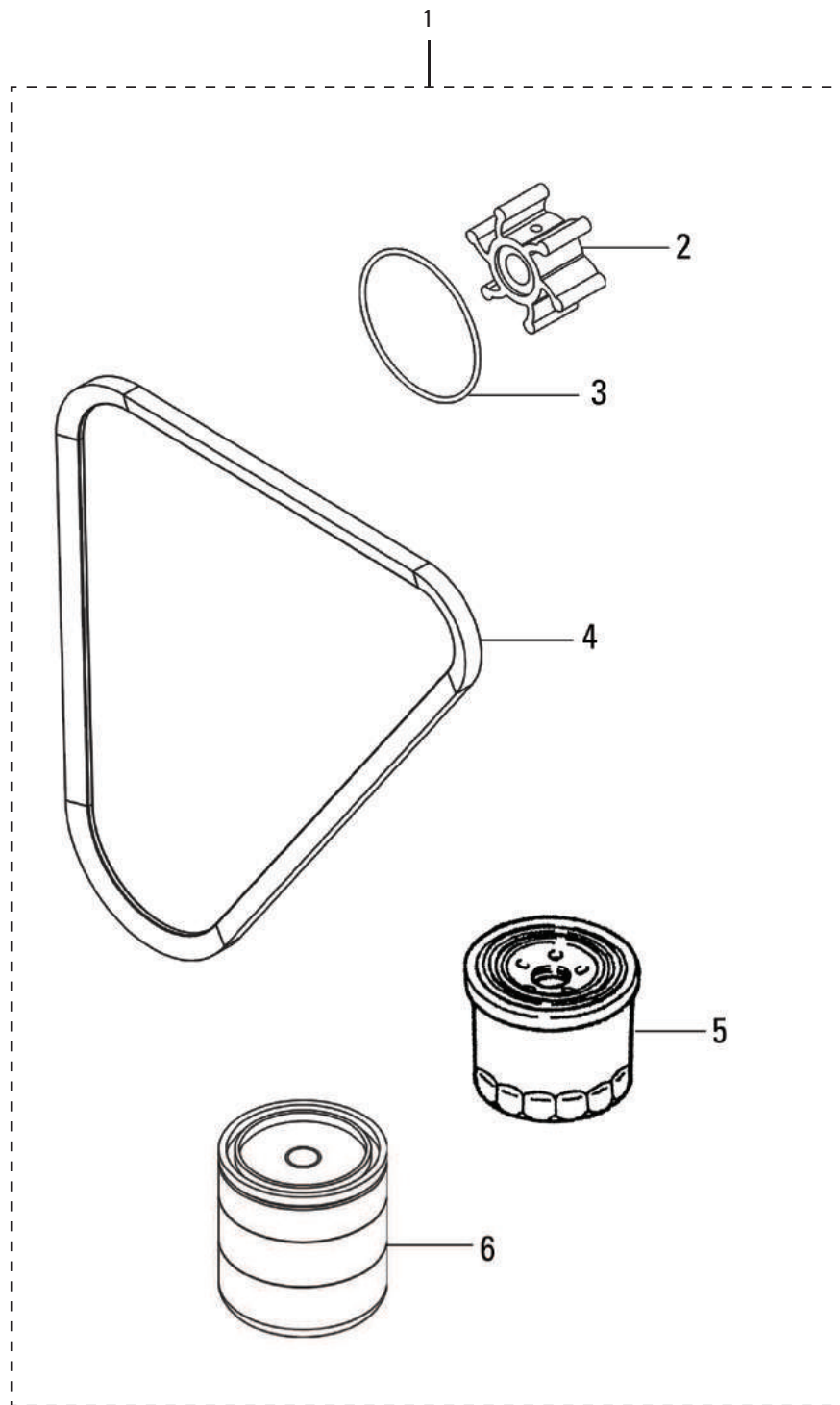
2.0 MITSUBISHI PARTS

2.1 CRANKCASE	PAGE 22
2.2 TIMING GEAR & CASE	PAGE 24
2.3 OIL SUMP	PAGE 26
2.4 CYLINDER HEAD	PAGE 28
2.5 CRANKCASE & FLYWHEEL	PAGE 30
2.6 CAMSHAFT & VALVE DRIVE	PAGE 32
2.7 GASKET KIT	PAGE 34
2.8 CIRCULATION PUMP	PAGE 36
2.9 FUEL SYSEM	PAGE 38
2.10 NOZZLE HOLDER	PAGE 40
2.11 FUEL PUMP	PAGE 42
2.12 REGULATOR	PAGE 44

3.0 ELECTRONICS

3.1 ALTERNATOR & STARTER	PAGE 46
3.2 TERMINAL BOX	PAGE 46
3.3 SENSORS	PAGE 50
3.4 INSTRUMENT PANEL	PAGE 52

1.1 SPARES SET



SPARE PARTS

CM2.16



1.2 AIR INTAKE

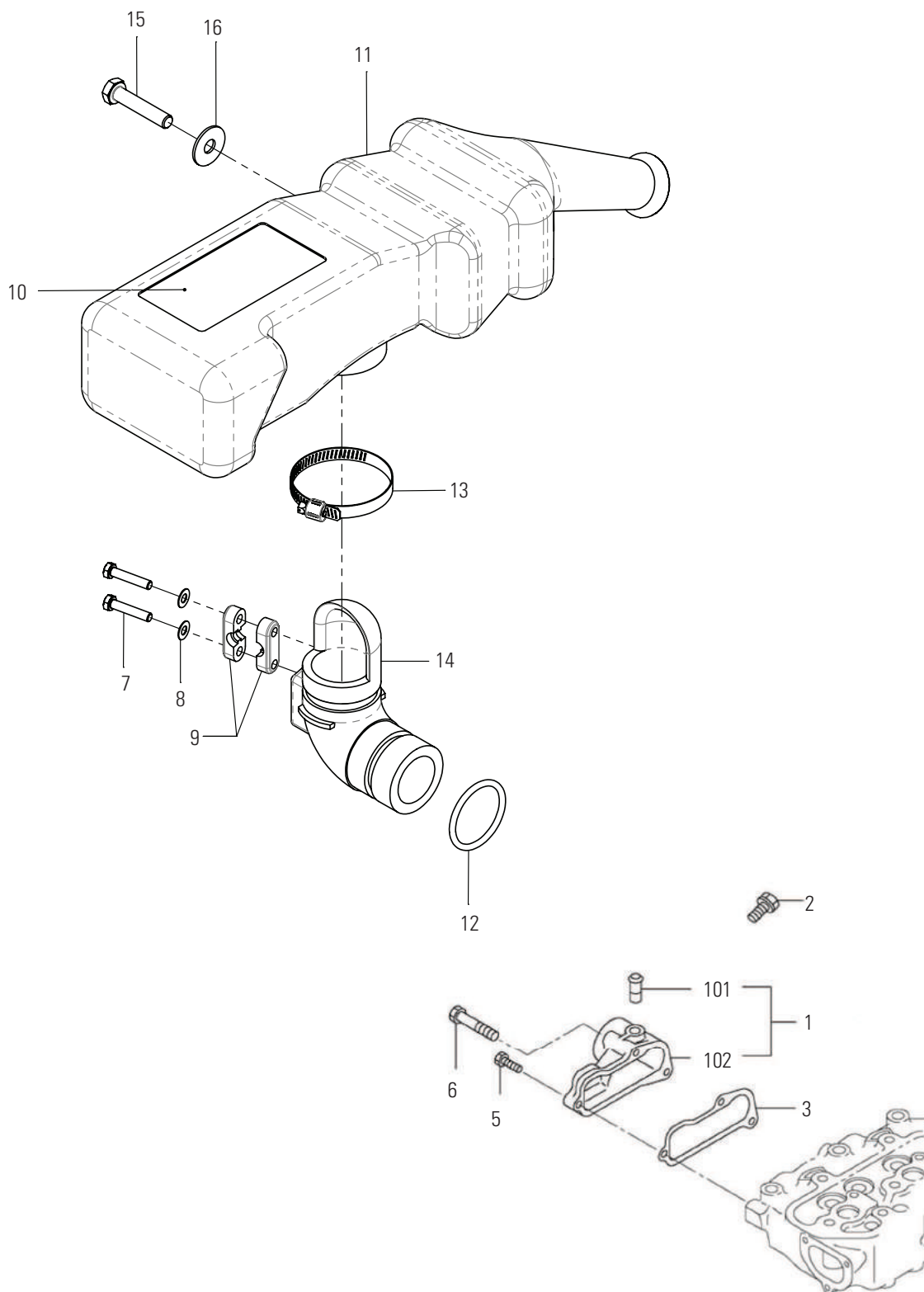
MARINISATION PARTS

mitsubishi parts

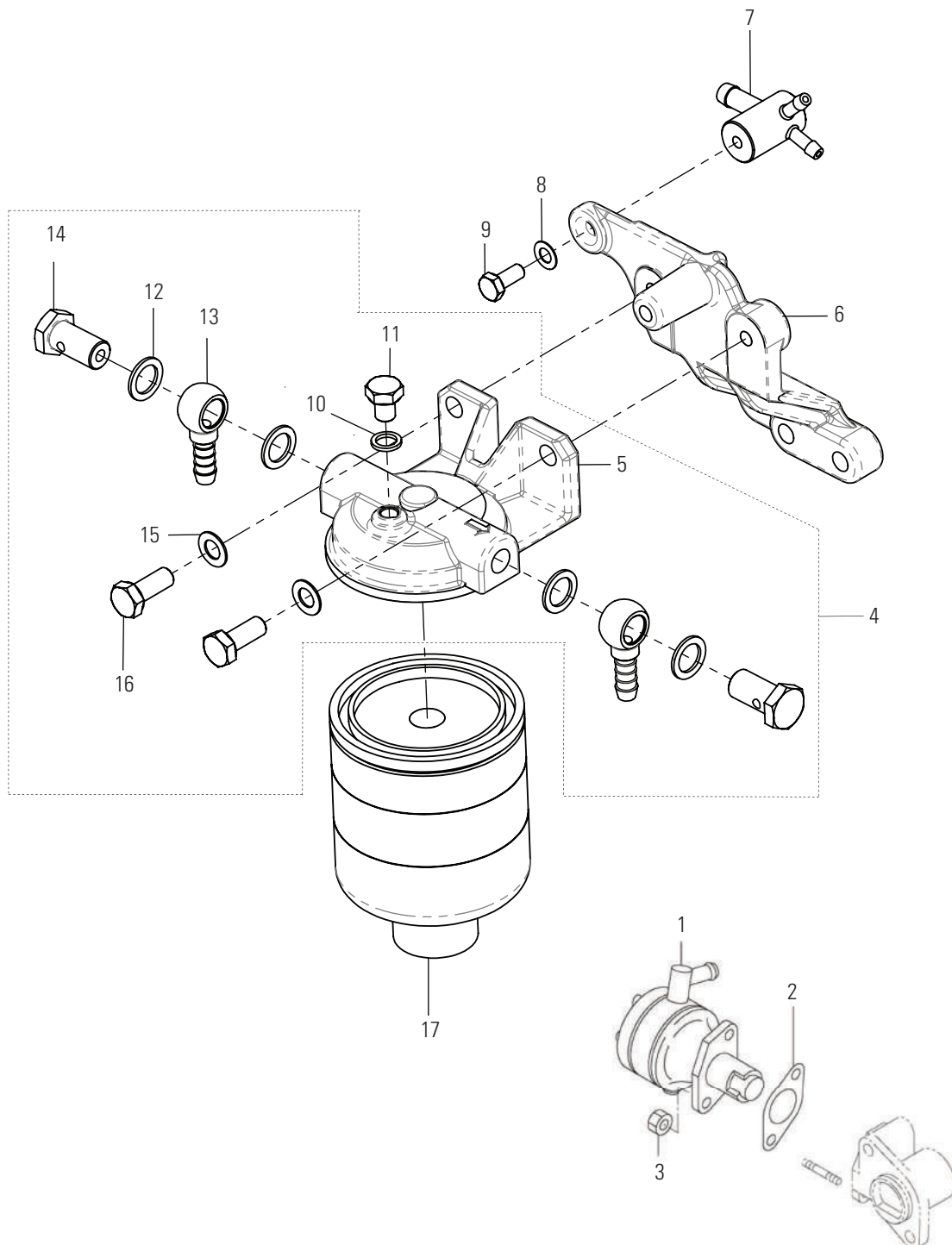
ELECTRONICS

Pos.	Qty	Part	Description	Comment
1	1	?	AIR INLET COVER SUB ASSY	
101	1	AA.300.91001	PIPE	
102	1	?	AIR INLET COVER	
2	1	AA.300.91002	BOLT, W/WASHER	
3	1	?	GASKET, INTAKE MANF	
5	2	AA.300.91004	BOLT	
6	2	AA.300.91005	BOLT	
7	2	AA.300.90062	BOLT M5X25	
8	2	AA.300.90063	WASHER M5	
9	1	AA.200.90050	CABLE CLAMP	
10	1	?	MODEL PLATE	NOT SHOWN
11	1	?	AIR INTAKE HOUSING	
12	1	AA.300.90065	O-RING 36X3,5	
13	1	AA.300.90066	HOSE CLAMP 38X50	
14	1	AA.300.90050	AIR INTAKE BEND	
15	1	AA.300.90067	BOLT M8X40	
16	1	AA.300.90068	WASHER M8	

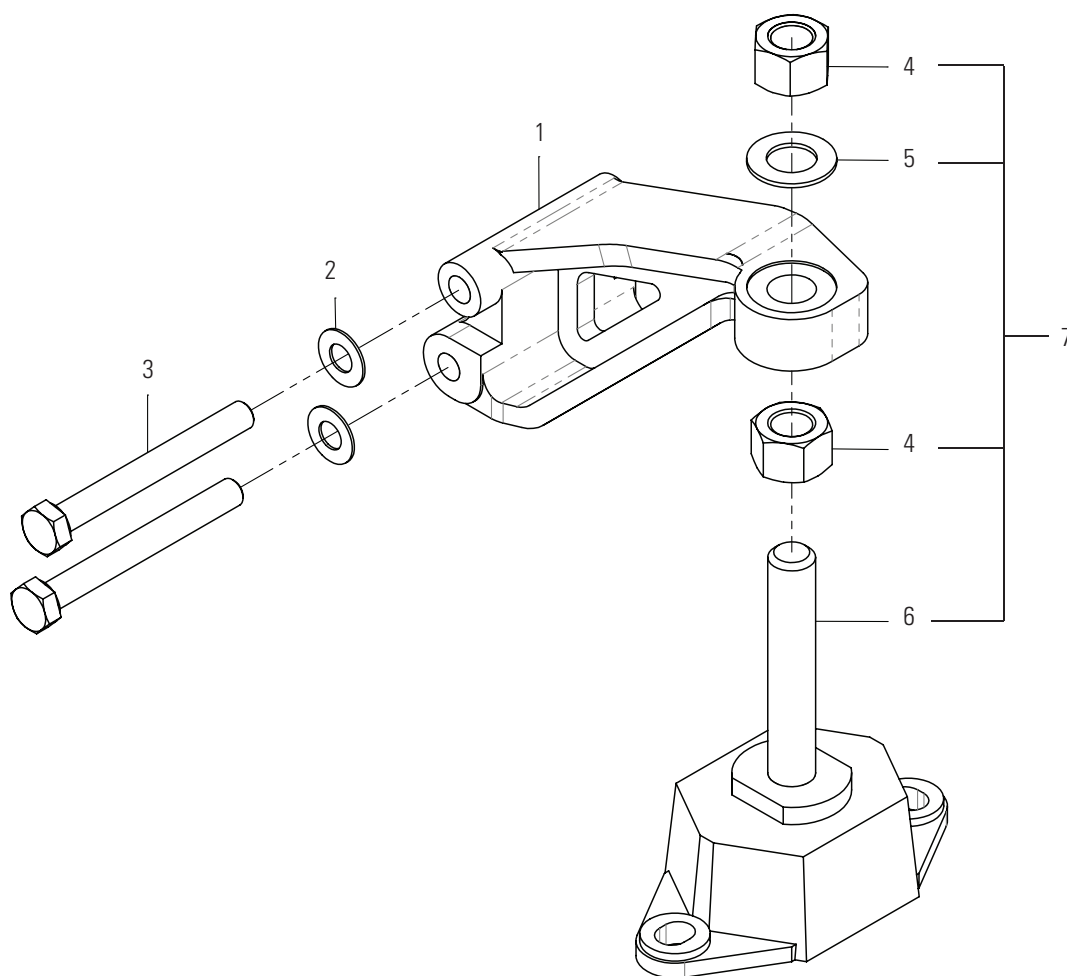
1.2 AIR INTAKE



1.3 FUEL FILTER



1.4 ENGINE SUPPORT



1.5 HEAT EXCHANGE

Pos.	Qty	Part	Description	Comment
1	1	?	HEATEXCHANGER HOUSING ASSY	
2	1	AA.200.90008	FILLER CAP 0.5BAR	
3	2	AA.300.90084	O-RING 66X3	
4	1	AA.200.90007	COVER	
5	1	?	TUBE STACK	
6	1	AA.200.90006	COVER	
7	2	AA.300.90085	BOLT M8X35	
8	1	?	HEATEXCHANGER HOUSING	
9	1	AA.300.90086	SEAL WASHER M14	
10		AA.300.90053	PLUG M14X1.5	
11	9	AA.300.90068	WASHER M8	
12	6	AA.300.90088	BOLT M8X115	
13	1	?	EXHAUST GASKET	
14	3	AA.300.90089	STUD M8X35	
15	1	AA.250.90029	EXHAUST ELBOW	
16	1	AA.010.90004	THERMOSWITCH 75°C M18x1,5 RAW WATER	
17	1	AA.300.90090	NUT M8	
18	1	AA.300.90054	GASKET	
19	1	AA.300.90057	THERMOSTAAT 76°C	
20	1	AA.200.90028	THERMOSTAT HOUSING	
21	1	AA.300.90069	WASHER M6	
22	1	AA.300.90092	SEAL WASHER M10	
23	2	AA.300.90093	BOLT M6X35	
24	1	AA.300.90094	BOLT M10X1.5X12	
25	1	AA.300.90095	O-RING	
26	1	AA.300.90069	WASHER M6	
27	2	AA.300.90097	SEAL WASHER M8	
28	1	AA.300.90098	SEAL WASHER M18	
29	1	AA.300.90099	MODEL PLATE	
30	1	AA.300.90100	FILLER NECK	
31	1	AA.300.90101	EXHAUST ELBOW GASKET	
32	*	AA.300.90102	HOSE	NOT SHOWN

MARINISATION PARTS

MITSUBISHI PARTS

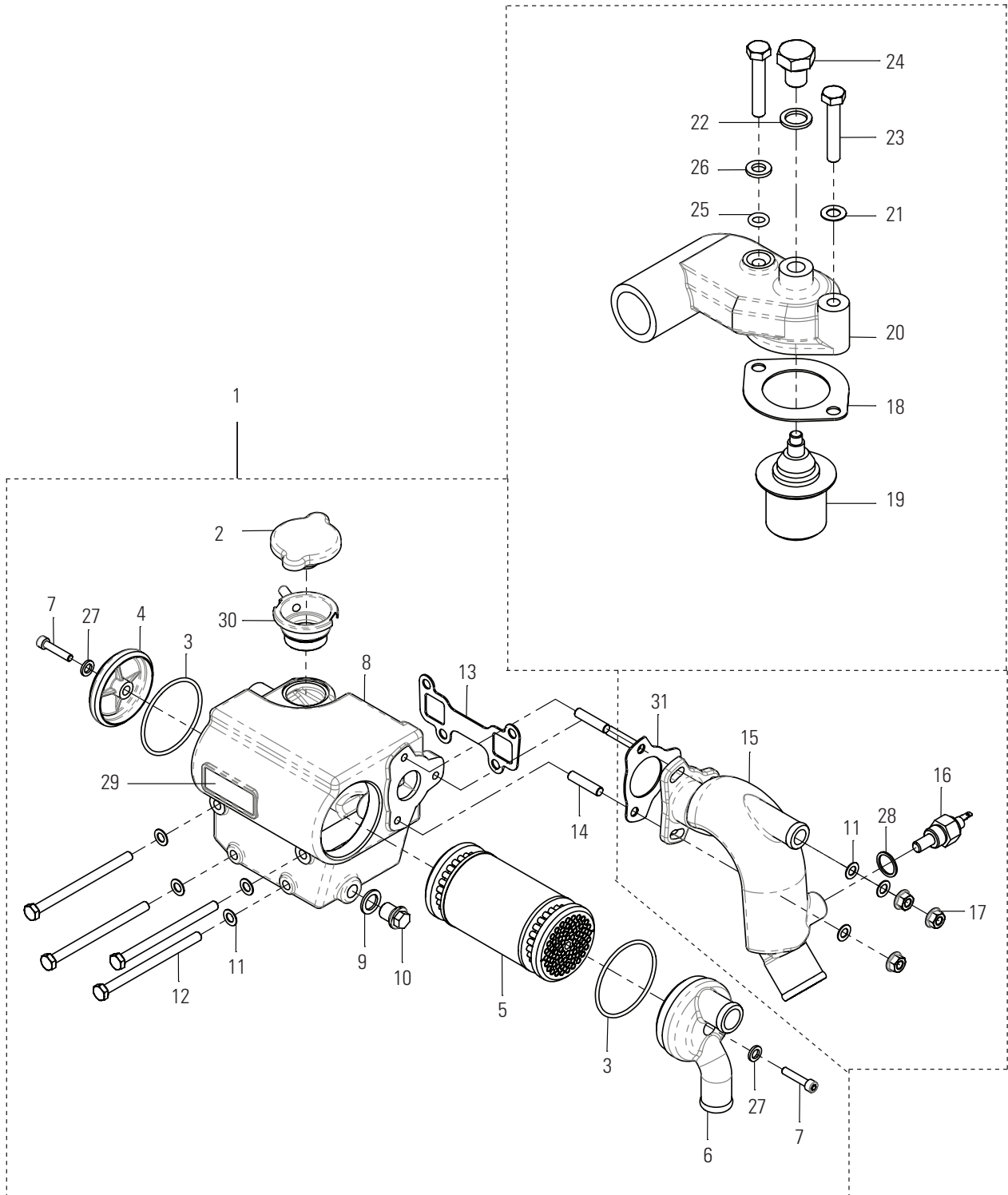
ELECTRONICS

SPARE PARTS

CM2.16

Craftsman
MARINE

1.5 HEAT EXCHANGE



MARINISATION PARTS

MITSUBISHI PARTS

ELECTRONICS

1.6 KEELCOOLER MANIFOLD

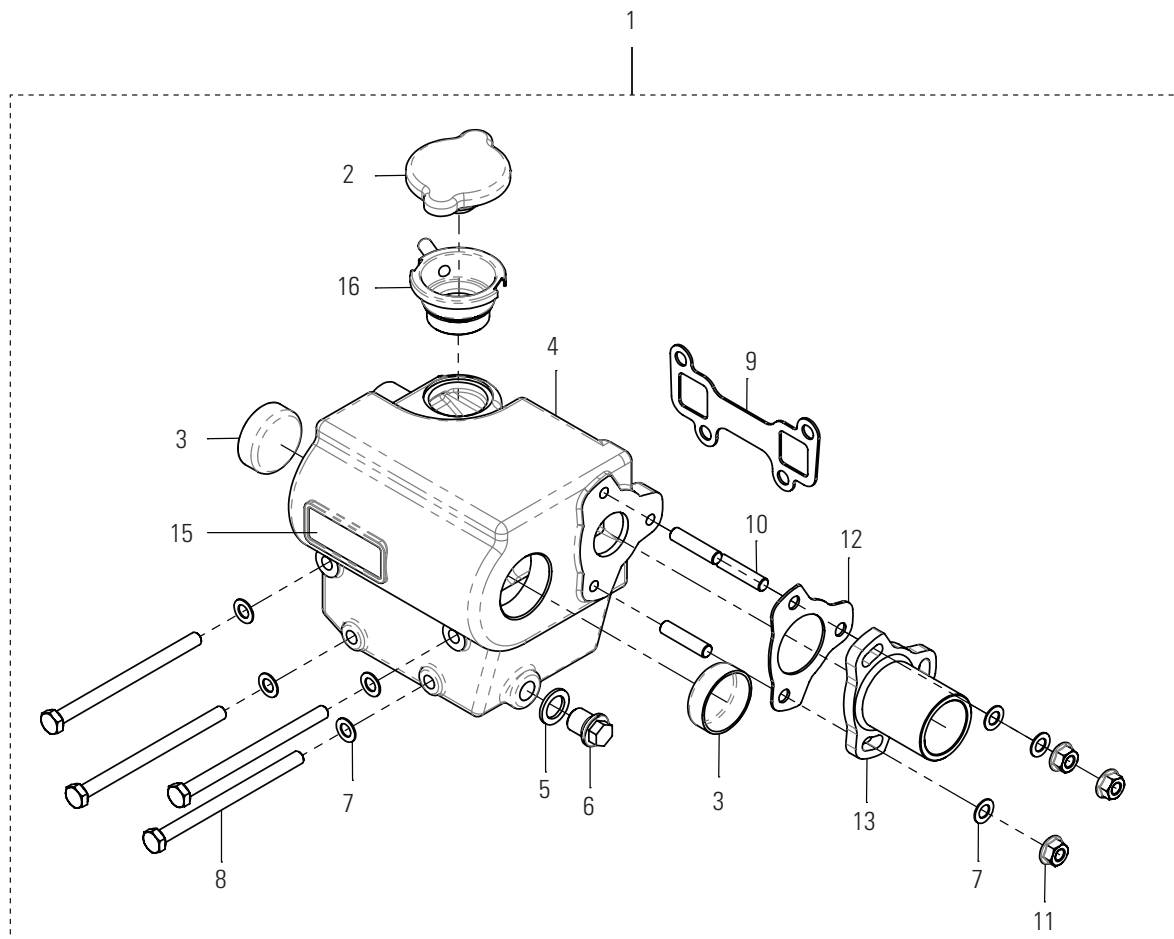
Pos.	Qty	Part	Description	Comment
1	1	?	KEELCOOLER MANIFOLD ASSY	
2	1	AA.200.90008	FILLER CAP 0.5BAR	
3	2	AA.301.90007	END PLUG	
4	1	?	KEELCOOLER MANIFOLD HOUSING	
5	1	AA.300.90086	SEAL WASHER M14	
6	1	AA.300.90104	PLUG M14X1.5	
7	7	AA.300.90068	WASHER M8	
8	4	AA.300.90088	BOLT M8X115	
9	1	?	EXHAUST GASKET	
10	3	AA.300.90089	STUD M8X35	
11	3	AA.300.90090	NUT M8	
12	1	AA.300.90109	EXHAUST ELBOW GASKET	
13	1	AA.301.90009	EXHAUST FLANGE	
14	1	AA.300.90111	BLIND CAP (ONLY IN COMBINATION WITH EXPANSION TANK)	NOT SHOWN
15	1	AA.300.90112	MODEL PLATE	NOT SHOWN
16	1	AA.300.90113	FILLER NECK	
17	*	AA.300.90114	HOSE	NOT SHOWN
18	*	AA.300.90115	EXPANSION TANK	NOT SHOWN

MARINISATION PARTS

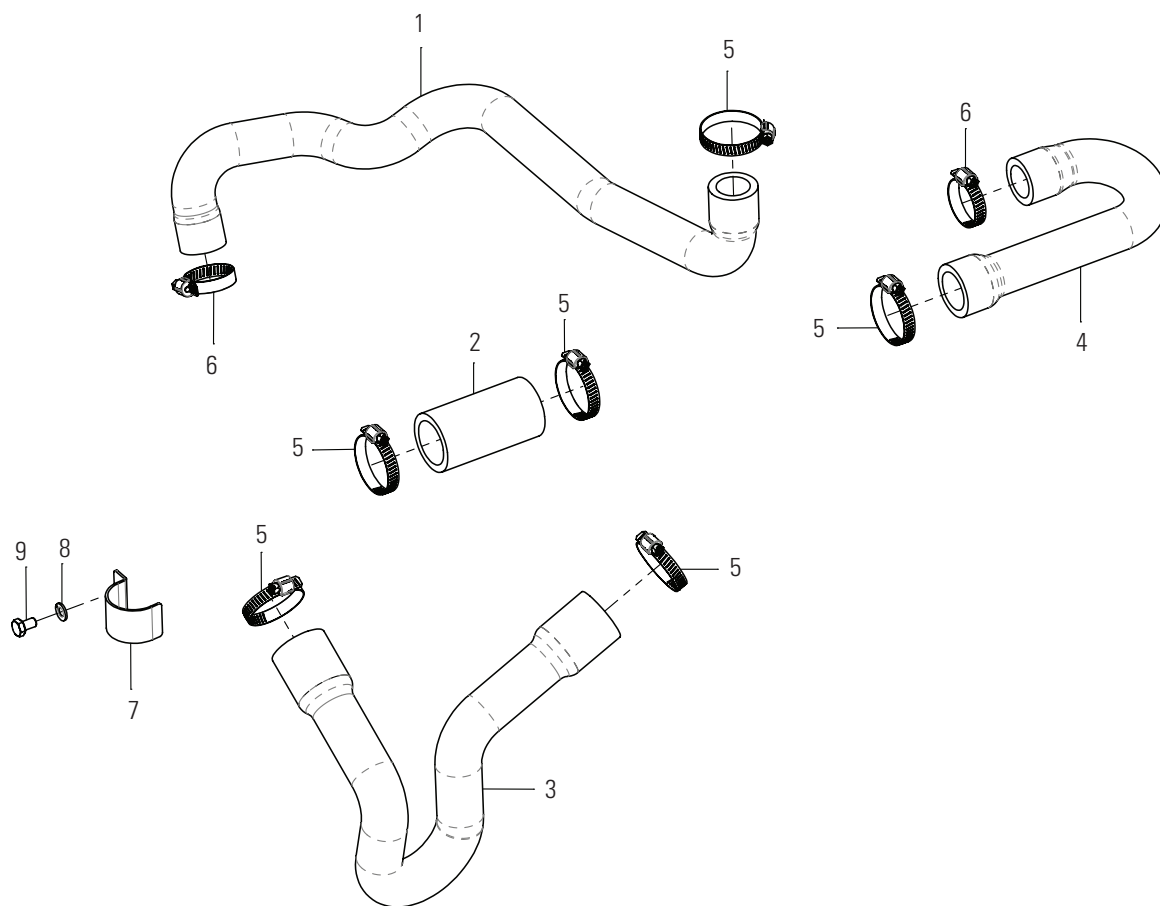
MITSUBISHI PARTS

ELECTRONICS

1.6 KEELCOOLER MANIFOLD



1.7 HOSES

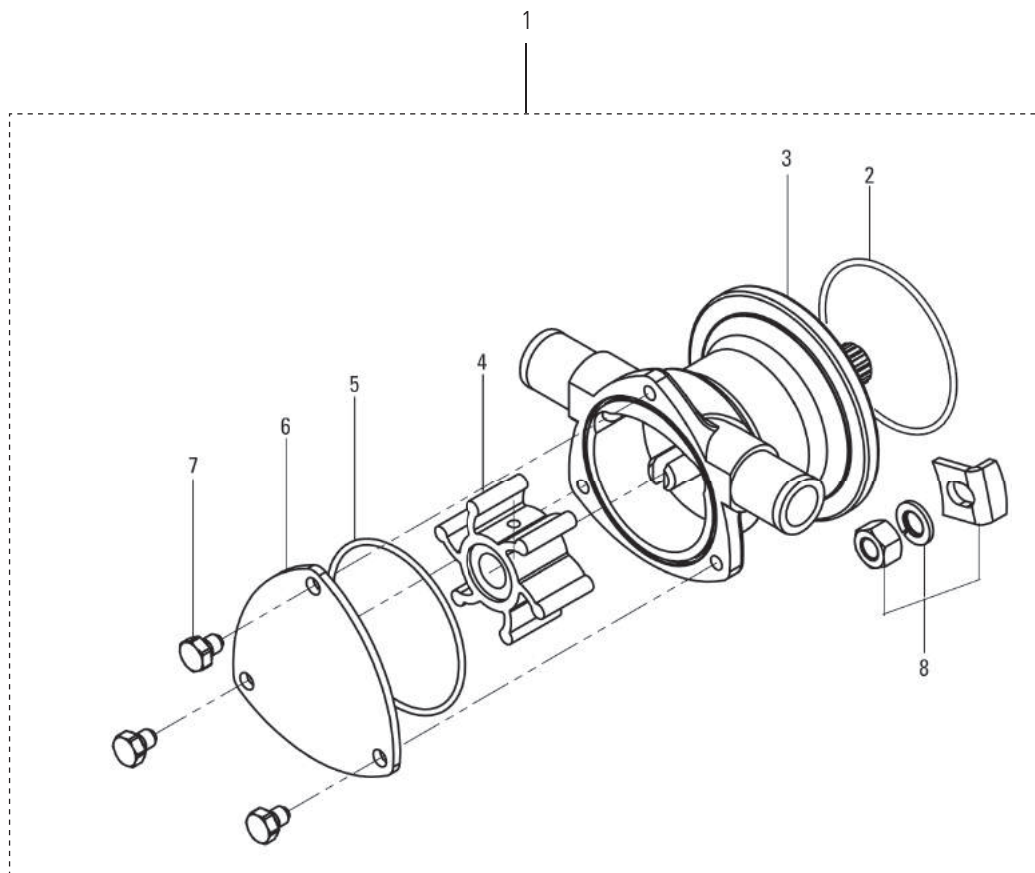


SPARE PARTS

CM2.16

Craftsman
MARINE

1.8 RAW WATER PUMP



MARINISATION PARTS

MITSUBISHI PARTS

ELECTRONICS

SPARE PARTS

CM2.16



1.9 FLYWHEEL HOUSING

MARINISATION PARTS

MITSUBISHI PARTS

ELECTRONICS

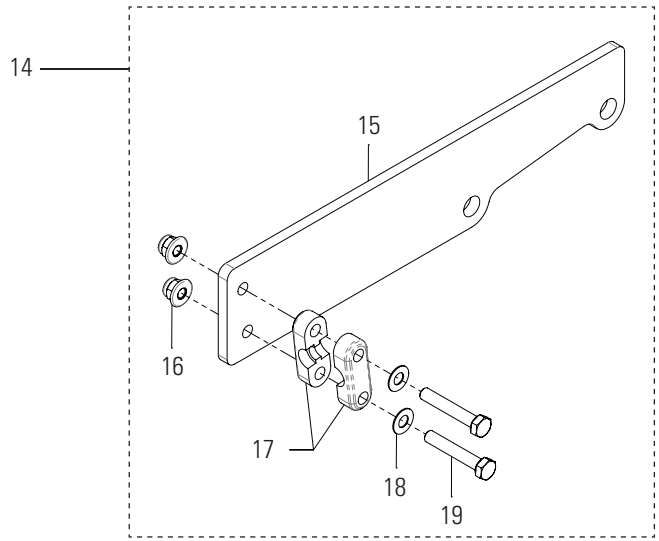
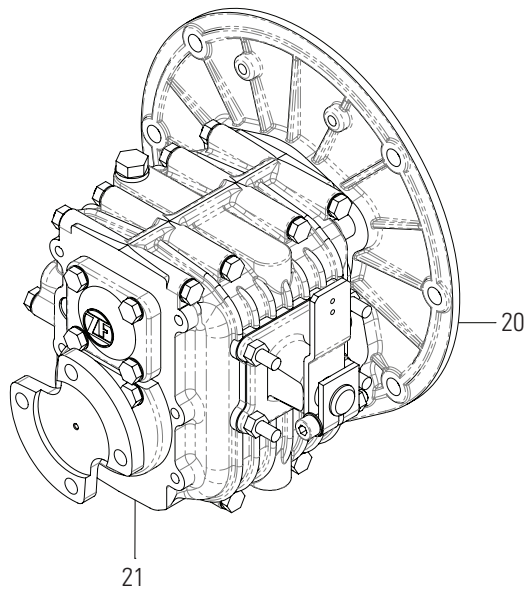
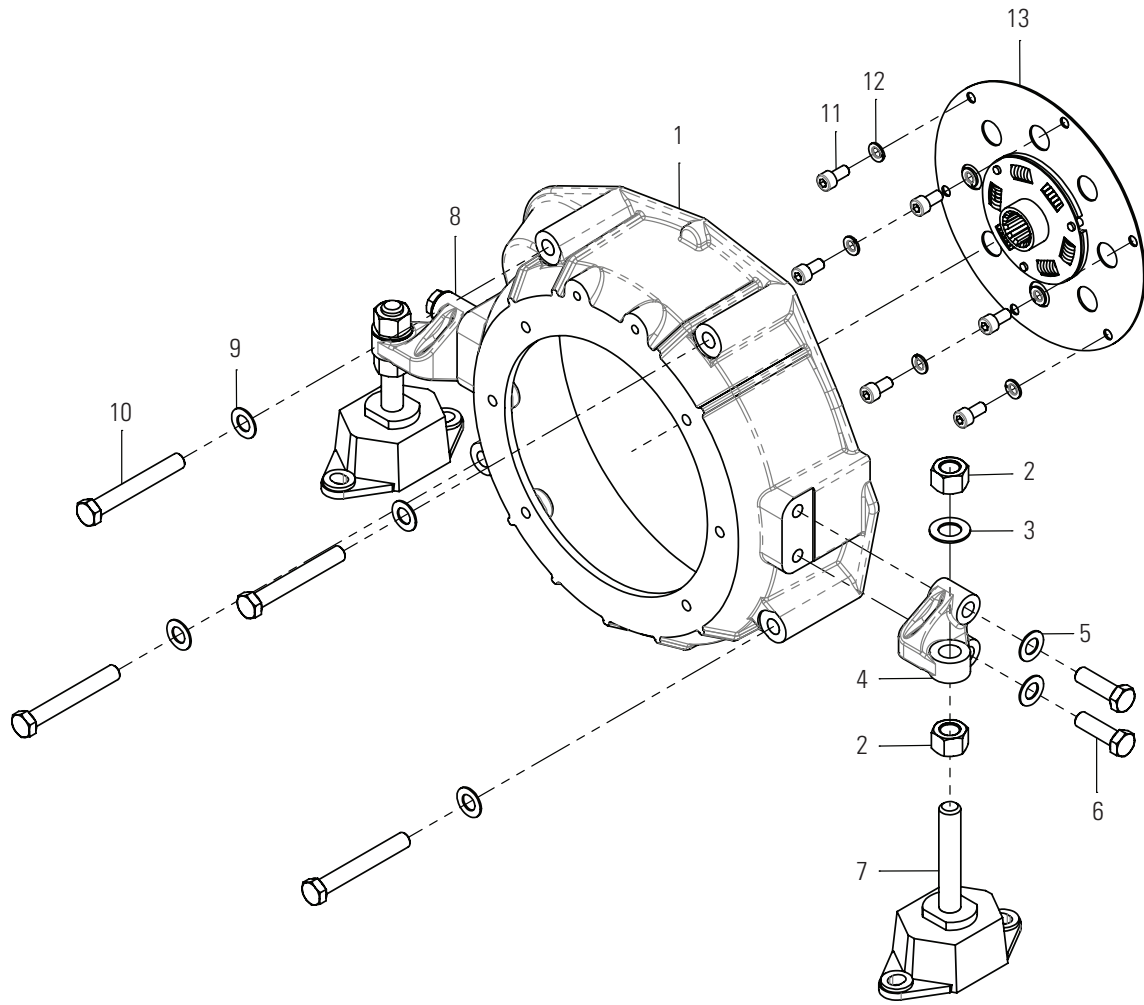
Pos.	Qty	Part	Description	Comment
1	1	AA.300.90062	FLYWHEEL HOUSING	
2	4	AA.300.90082	NUT M16x1.5	
3	2	AA.300.90083	WASHER M16	
4	1	AA.200.90002	ENGINE SUPPORT REAR R/L	
5	4	AA.300.90127	WASHER M12	
6	4	AA.300.90128	BOLT M12X50	
7	2	?	FLEXIBLE ENGINE MOUNTING	
8	1	AA.200.90002	ENGINE SUPPORT REAR R/L	
9	4	AA.300.90127	WASHER M12	
10	4	AA.300.90130	BOLT M12X1.25X70	
11	6	AA.300.90131	HEX SOCKET BOLT M8X16	
12	6	AA.300.90068	WASHER M8	
13	1	AA.300.00030	DAMPERPLATE	
14	1	AA.300.90133	GEAR LEVER ASSY	
15	1	AA.300.90134	GEAR LEVER	
16	2	AA.300.90135	LOCKING NUT M5	
17	1	AA.200.90050	CABLE CLAMP	
18	2	AA.300.90063	WASHER M5	
19	2	AA.300.90062	BOLT M5X25	
20	1	AA.300.90138	FLANGE GEARBOX	
21	1	AA.300.90139	ZF10M GEARBOX 2,05:1	
	1	AA.300.90140	ZF10M GEARBOX 2,72:1	
	1	AA.010.02125	TMC40 GEARBOX 2,60:1	

SPARE PARTS

CM2.16

Craftsman
MARINE

1.9 FLYWHEEL HOUSING



MARINISATION PARTS

MITSUBISHI PARTS

ELECTRONICS

SPARE PARTS

CM2.16



2.1 CRANK CASE

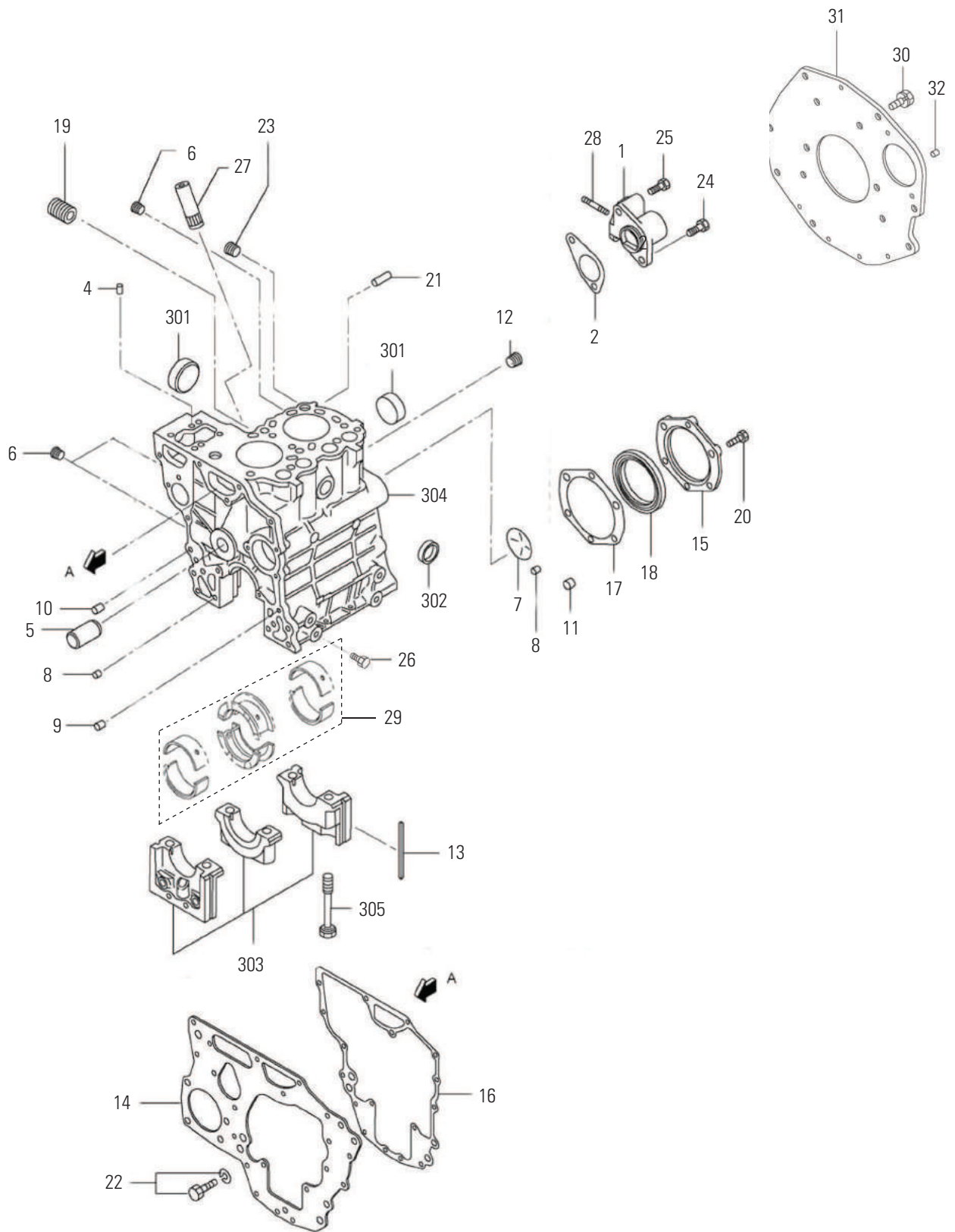
MARINISATION PARTS

MITSUBISHI PARTS

ELECTRONICS

Pos.	Qty	Part	Description	Comment
1	1	AA.300.91008	ADAPTER,FUEL PUMP	
2	1	AA.300.91009	GASKET	
3	1	?	BLOCK SUB ASSY, CYL	
301	2	AA.300.91011	CAP, SEALING	
302	1	AA.300.91012	CAP, SEALING	
303	1		CAP ASSY, BEARING	
304	1		BLOCK, CYLINDER	
305	6	AA.300.91013	BOLT, BEARING CAP	
4	2	AA.300.91014	PIN, DOWEL	
5	1	AA.300.91015	SHAFT, IDLER	
6	3	AA.300.91016	PLUG, TAPERED	
7	1	AA.300.91017	PLUG, EXPANSION	
8	2	AA.300.91018	BUSHING, KNOCK (6x9)	
9	1	AA.300.91019	BUSHING, KNOCK (6x13)	
10	2	AA.300.91020	BUSHING, KNOCK (8x13)	
11	3	AA.300.91021	BUSHING, KNOCK (10x9)	
12	1	AA.300.91022	PLUG, TAPERED	
13	4	AA.300.91023	SEAL, SIDE	
14	1	AA.300.91024	PLATE, FRONT	
15	1	AA.300.91025	CASE, OIL SEAL	
16	1	AA.300.91026	GASKET, FRONT PLATE	
17	1	AA.300.91027	GASKET, OIL SEAL CASE	
18	1	AA.300.91028	SEAL, OIL REAR	
19	1	AA.300.91029	SHAFT, OIL FILTER	
20	6	AA.300.91030	BOLT	
21	1	AA.300.91031	PIN, DOWEL	
22	7	AA.300.91032	BOLT,W/WASHER	
23	1	AA.300.91033	PLUG, TAPERED	
24	1	AA.300.91034	BOLT(8*20)	
25	1	AA.300.91035	BOLT(8*45)	
26	7	AA.300.91036	BOLT(6*14)	
27	1	AA.300.91037	GUIDE, LEVEL GAGE	
28	2	AA.300.91038	STUD(6*14)	
29	1	?	BEARING SET STD	
	1	?	BEARING SET U.S. 0.25	
	1	?	BEARING SET U.S. 0.50	
30	1	AA.300.91042	BOLT, W/WASHER	
31	6	AA.300.91043	PLATE, REAR	
32	1	AA.300.91044	PIN, KNOCK	

2.1 CRANK CASE



SPARE PARTS

CM2.16



2.2 TIMING GEAR & CASE

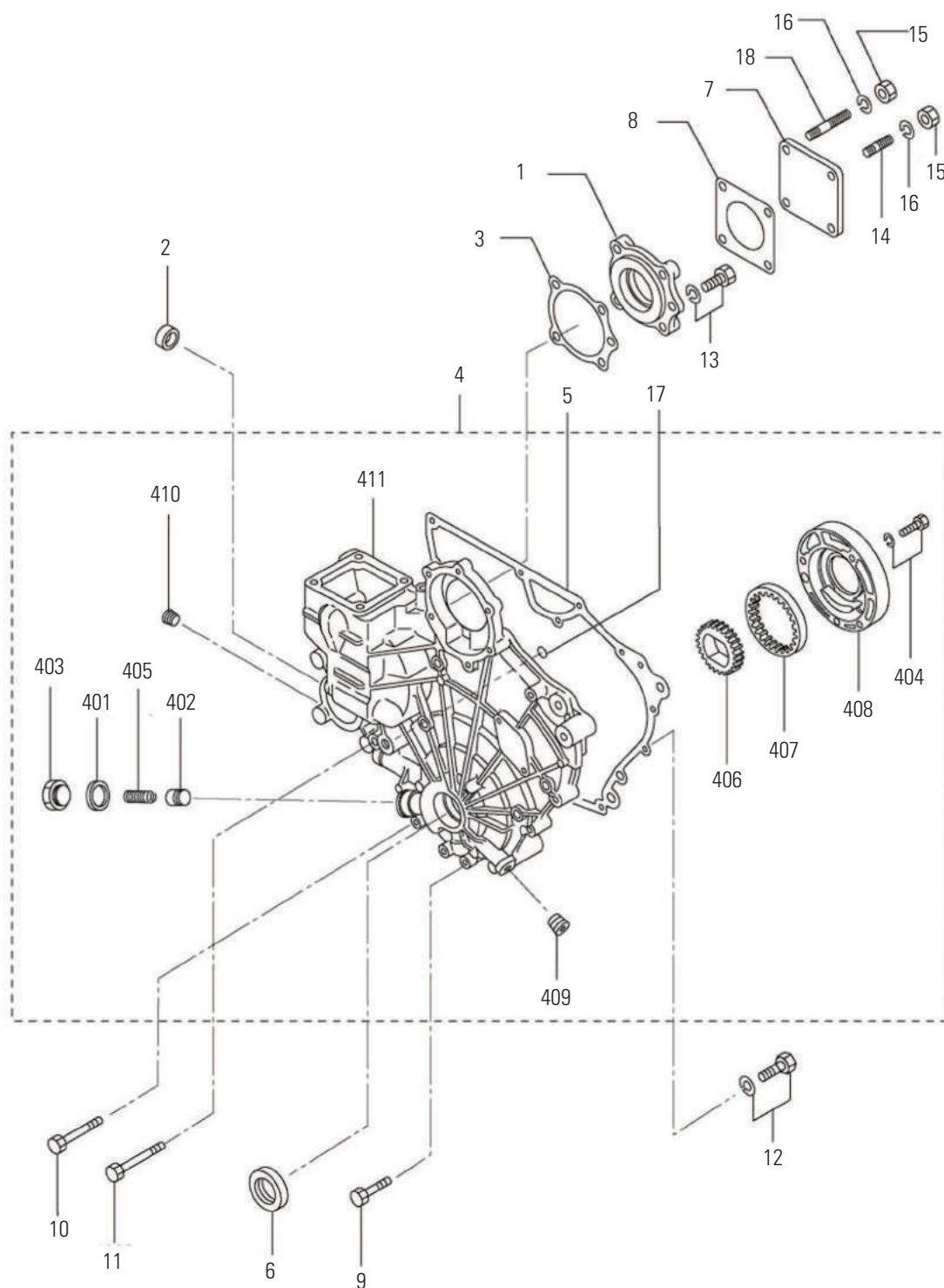
MARINISATION PARTS

MITSUBISHI PARTS

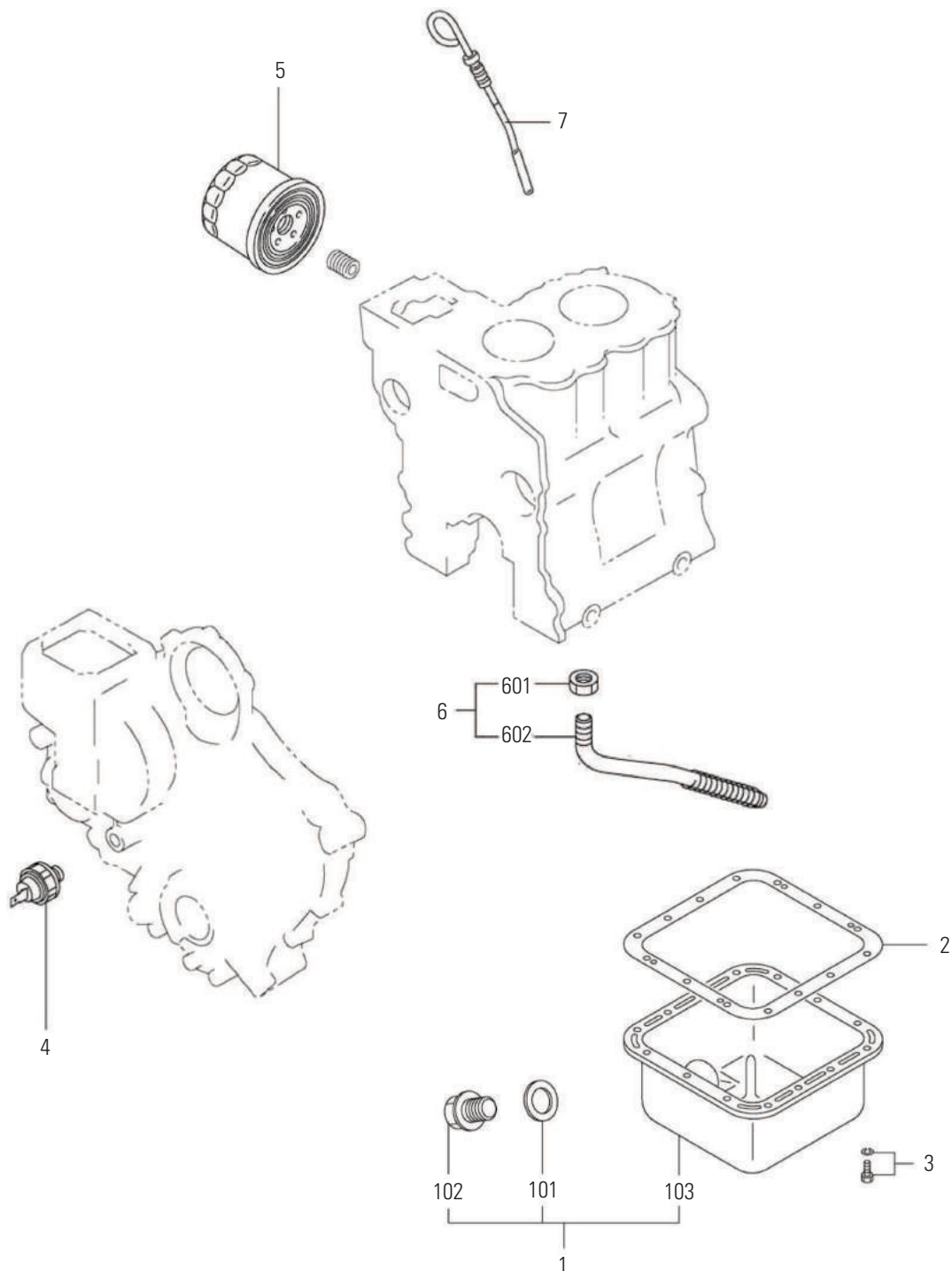
ELECTRONICS

Pos.	Qty	Part	Description	Comment
1	1	AA.300.91045	HOUSING, GEAR PUMP	
2	1	AA.300.91046	CAP, SEALING	
3	1	AA.300.91047	GASKET, HOUSING	
4	1	AA.300.91048	CASE ASSY, GEAR	
401	1	AA.300.91049	GASKET	
402	1	AA.300.91050	PLUNGER, RELIEF	
403	1	AA.300.91051	PLUG, DRAIN	
404	3	AA.300.91052	BOLT, W/WASHER	
405	1	AA.300.91053	SPRING, RELIEF	
406	1	AA.300.91054	GEAR, OIL PUMP INNER Z-24	
407	1	AA.300.91055	GEAR, OIL PUMP OUTER Z-29	
408	1	AA.300.91056	HOUSING, OIL PUMP	
409	1	AA.300.91057	PLUG, TAPERED	
410	1	AA.300.91058	PLUG, TAPERED	
411	1		CASE SUB ASSY, GEAR	
5	1	AA.300.91059	GASKET, GEAR CASE	
6	1	AA.300.91060	SEAL, OIL	
7	1	AA.300.91061	COVER, OIL PUMP SHAFT	
8	1	AA.300.91062	GASKET, O/PUMP COVER	
9	3	AA.300.91063	BOLT	
10	1	AA.300.91064	BOLT	
11	4	AA.300.91065	BOLT	
12	4	AA.300.91032	BOLT, W/WASHER	
13	1	AA.300.91067	BOLT, W/WASHER	
14	1	AA.300.91068	STUD	
15	4	AA.300.91069	NUT	
16	4	AA.300.91070	WASHER, SPRING	
17	2	AA.300.91071	O-RING	
18	3	AA.300.91072	STUD	

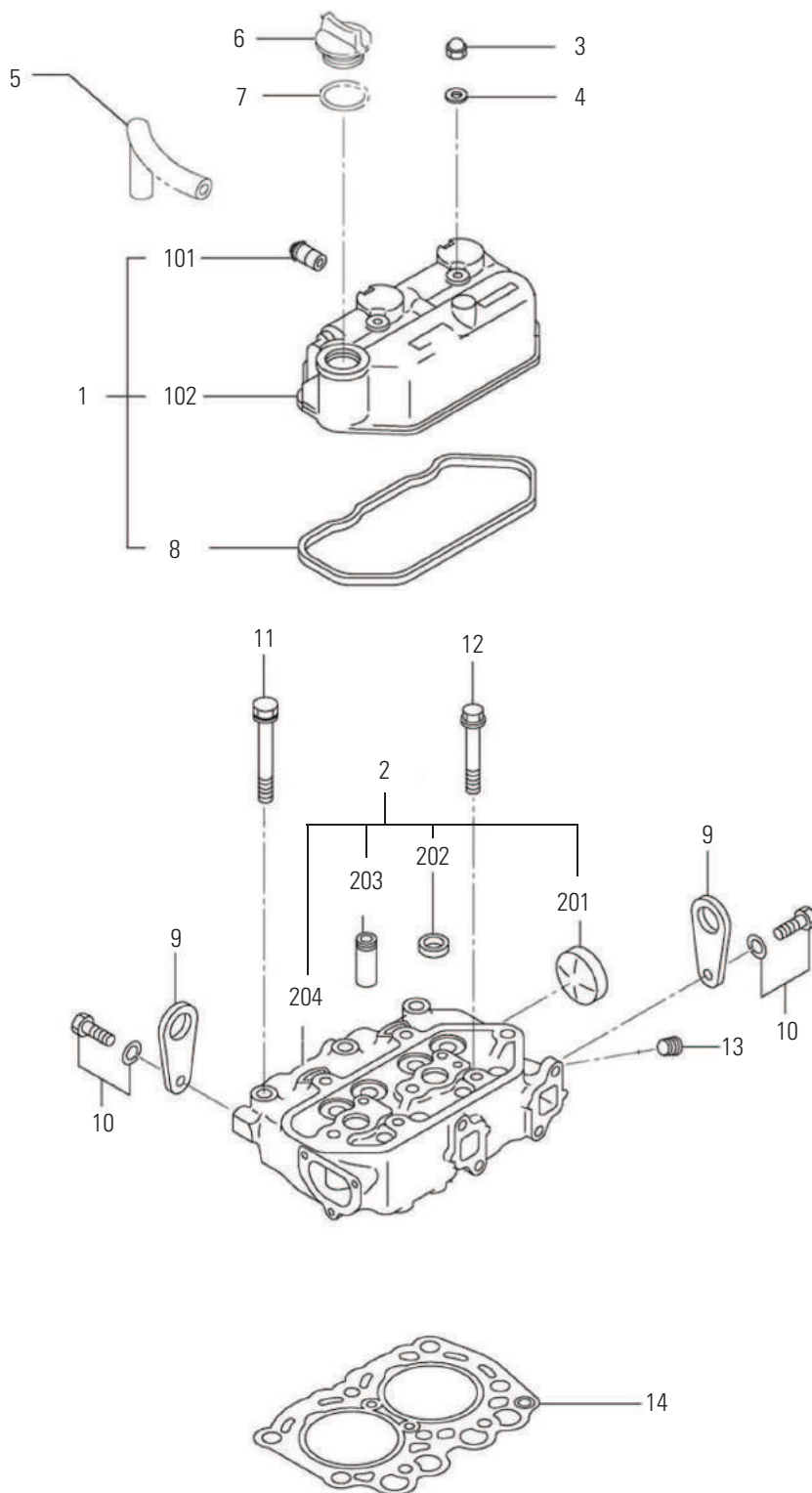
2.2 TIMING GEAR & CASE



2.3 OIL SUMP



2.4 CYLINDER HEAD



SPARE PARTS

CM2.16



2.5 CRANKCASE & FLYWHEEL

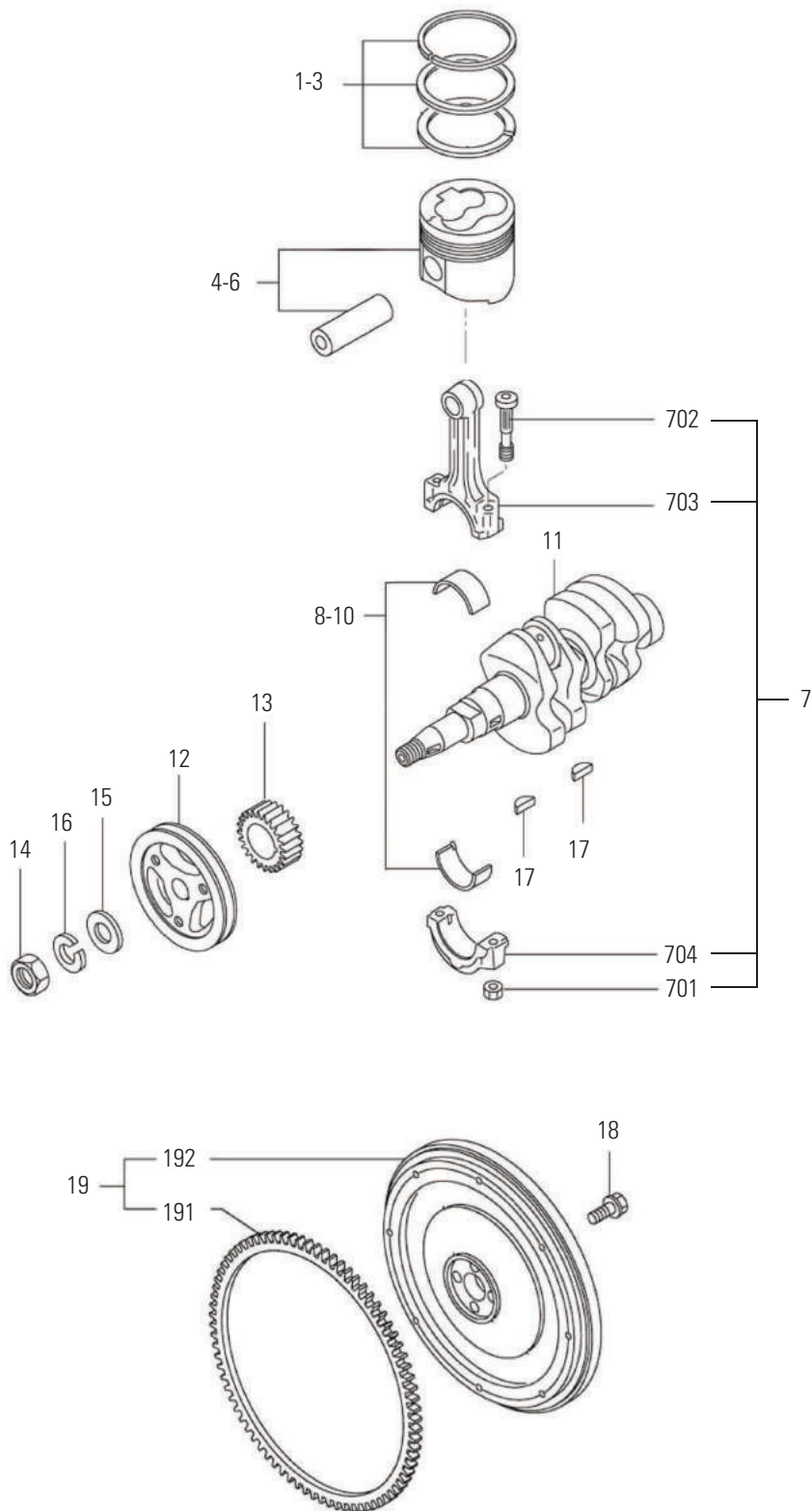
Pos.	Qty	Part	Description	Comment
1	2	?	RING SET, PISTON STD	
2	2	?	RING SET, PISTON O.S 0.25	
3	2	?	RING SET, PISTON O.S 0.50	
4	2	AA.300.91101	PISTON & PIN SET STD	
5	2	?	PISTON & PIN SET O.S 0.25	
6	2	?	PISTON & PIN SET O.S 0.50	
7	2	AA.300.91104	ROD ASSY, CONNECTING	
701	4	AA.300.91105	NUT, CONNECTING ROD	
702	4	AA.300.91106	BOLT, CONNECTING ROD	
703	2	*	CONNECTING ROD	
704	2	*	CAP, CONNECTING ROD	
8	2	AA.300.91107	BEARING SET, CON-ROD STD	
9	2	AA.300.91108	BEARING SET, CON-ROD U.S 0.25	
10	2	AA.300.91109	BEARING SET, CON-ROD U.S 0.50	
11	1	?	CRANKSHAFT	
12	1	AA.300.91111	PULLEY, CRANKSHAFT	
13	1	AA.300.91112	GEAR, CRANKSHAFT Z=26	
14	1	AA.300.91113	NUT, JAM	
15	1	AA.300.91114	WASHER, PLAIN	
16	1	AA.300.91115	WASHER, SPRING	
17	2	AA.300.91116	KEY, WOODRUFF	
18	4	*	BOLT, FLYWHEEL	
19	1	?	FLYWHEEL ASSY	
191	1	?	GEAR, RING Z=106	
192	1		FLYWHEEL	

MARINISATION PARTS

MITSUBISHI PARTS

ELECTRONICS

2.5 CRANKCASE & FLYWHEEL



SPARE PARTS

CM2.16



2.6 CAMSHAFT & VALVE DRIVE

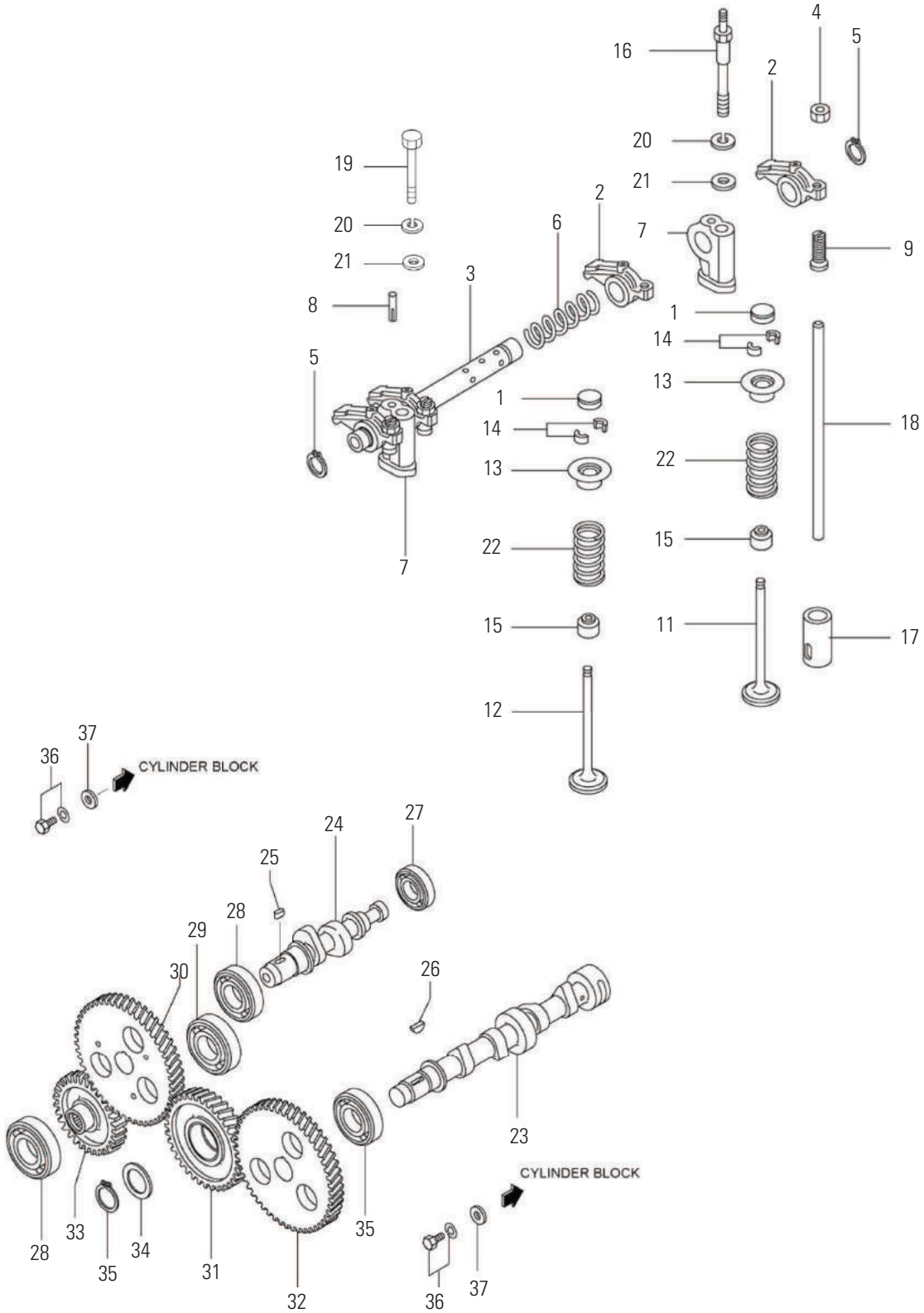
MARINISATION PARTS

MITSUBISHI PARTS

ELECTRONICS

Pos.	Qty	Part	Description	Comment
1	4	AA.300.91119	CAP, VALVE STEM	
2	4	?	ARM, ROCKER	
3	1	?	SHAFT ASSY, ROCKER	
4	2	AA.300.91122	NUT, JAM	
5	2	AA.300.91123	RING, SNAP	
6	1	AA.300.91124	SPRING, ROCKER SHAFT	
7	2	?	BRACKET, ROCKER SHAFT	
8	1	AA.300.91126	PIN, GROOVED	
9	4	AA.300.91127	SCREW, ADJUSTING	
11	2	?	VALVE, INLET	
12	2	?	VALVE, EXHAUST	
13	4	AA.300.91131	RETAINER , VALVE	
14	2	AA.300.91132	LOCK, VALVE SPRING	
15	4	AA.300.91133	SEAL, VALVE STEM	
16	2	?	BOLT, ROCKER STAY	
17	4	AA.300.91135	TAPPET	
18	4	AA.300.91136	ROD, PUSH	
19	1	AA.300.91137	BOLT	
20	2	AA.300.91070	WASHER, SPRING	
21	2	AA.300.91139	WASHER, PLAIN	
22	4	?	SPRING, VALVE	
23	1	?	CAMSHAFT	
24	1	?	SHAFT, FUEL INJ PUMP	
25	1	AA.300.91143	KEY, SUNK	
26	1	AA.300.91144	KEY, WOODRUFF	
27	1	AA.300.91145	BEARING, BALL	
28	1	AA.300.91146	BEARING, BALL	
29	1	AA.300.91147	BEARING, BALL	
30	1	AA.300.91148	GEAR, FUEL INJ PUMP Z=52	
31	1	AA.300.91149	GEAR ASSY, IDLER Z=40	
32	1	AA.300.91150	GEAR, CAMSHAFT Z=52	
33	1	AA.300.91151	GEAR, OIL PUMP Z-30	
34	1	AA.300.91152	PLATE, DISTANCE	
35	1	AA.300.91153	RING,SNAP	
36	4	AA.300.91077	BOLT, W/WASHER	
37	1	?	WASHER	

2.6 CAMSHAFT & VALVE DRIVE



2.7 GASKET KIT

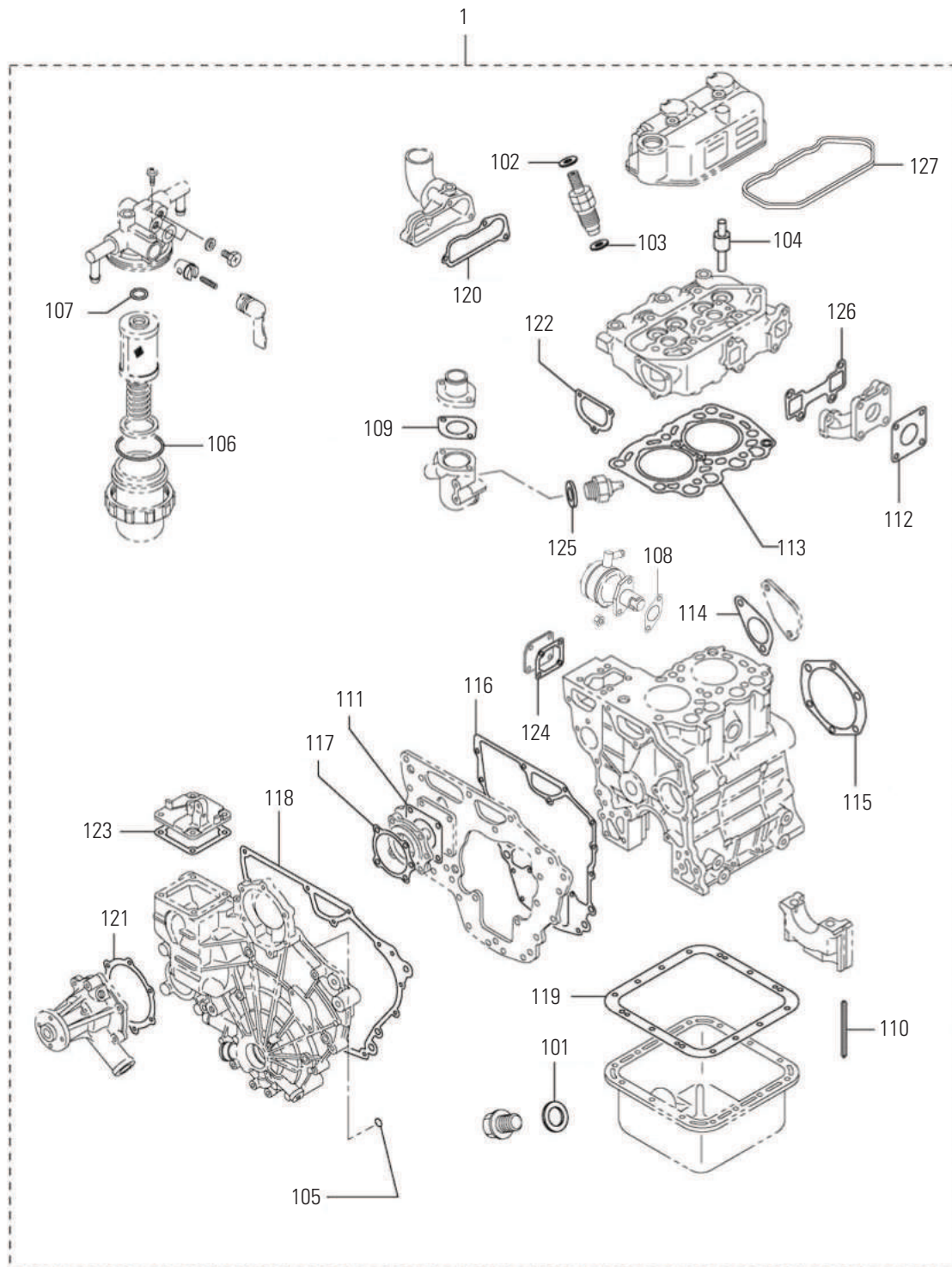
Pos.	Qty	Part	Description	Comment
1	1	?	GASKET KIT	
101	2	AA.300.91049	GASKET, PLUG	
102	2	AA.300.91211	GASKET, FUEL RETURN	
103	2	AA.300.91204	GASKET, HOLDER	
104	4	AA.300.91133	SEAL, VALVE STEM	
105	2	AA.300.91161	O-RING, GEAR CASE	
106	1	AA.300.91162	O-RING, FILTER CUP	
107	1	AA.300.91163	O-RING, ELEMENT	
108	1	AA.300.91006	GASKET, FUEL PUMP	
109	1	AA.300.91187	GASKET, THERMOSTAT	
110	4	AA.300.91023	SEAL, SIDE	
111	1	AA.300.91062	GASKET, O/PUMP COVER	
112	1	?	GASKET, EXHAUST PIPE	
113	1	?	GASKET, CYLINDER HEAD	
114	1	AA.300.91009	GASKET, PUMP ADAPTER	
115	1	AA.300.91027	GASKET, OIL SEAL CASE	
116	1	AA.300.91026	GASKET, FRONT PLATE	
117	1	AA.300.91047	GASKET, HOUSING	
118	1	AA.300.91059	GASKET, GEAR CASE	
119	1	AA.300.91076	GASKET, OIL PAN	
120	1	?	GASKET, INTAKE MANF	
121	1	AA.300.91196	GASKET, WATER PUMP	
122	1	AA.300.91188	GASKET, THERMO FITT	
123	1	AA.300.91287	GASKET, GOV COVER	
124	1	AA.300.91283	GASKET, TIE-ROD COVER	
125	1	AA.300.91181	GASKET, THERMOSWITCH	
126	1	?	GASKET, EXHAUST	
127	1	?	GASKET, ROCKER	

MARINISATION PARTS

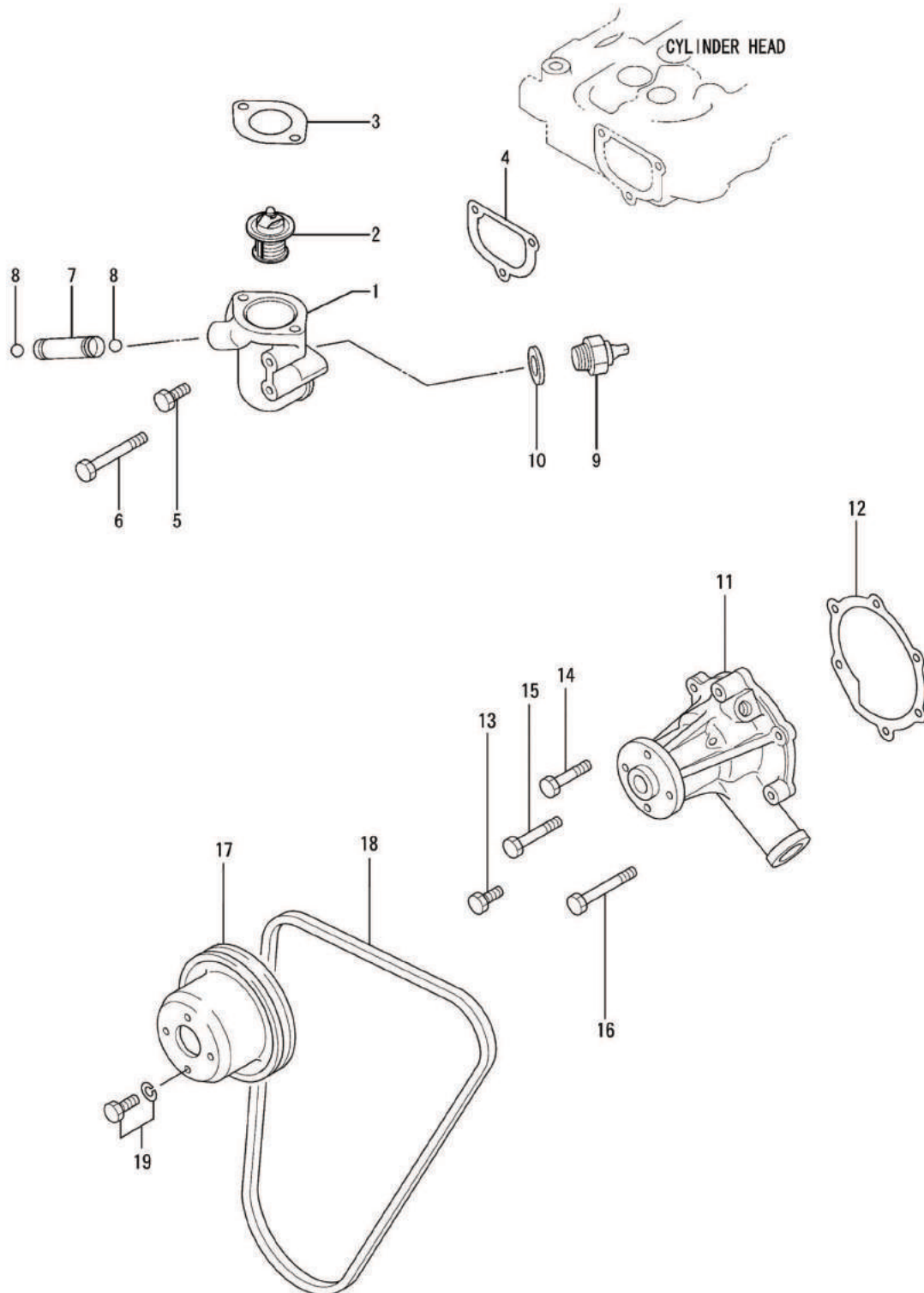
MITSUBISHI PARTS

ELECTRONICS

2.7 GASKET KIT



2.8 CIRCULATION PUMP & THERMOSTAT



SPARE PARTS

CM2.16



2.9 FUEL SYSTEM

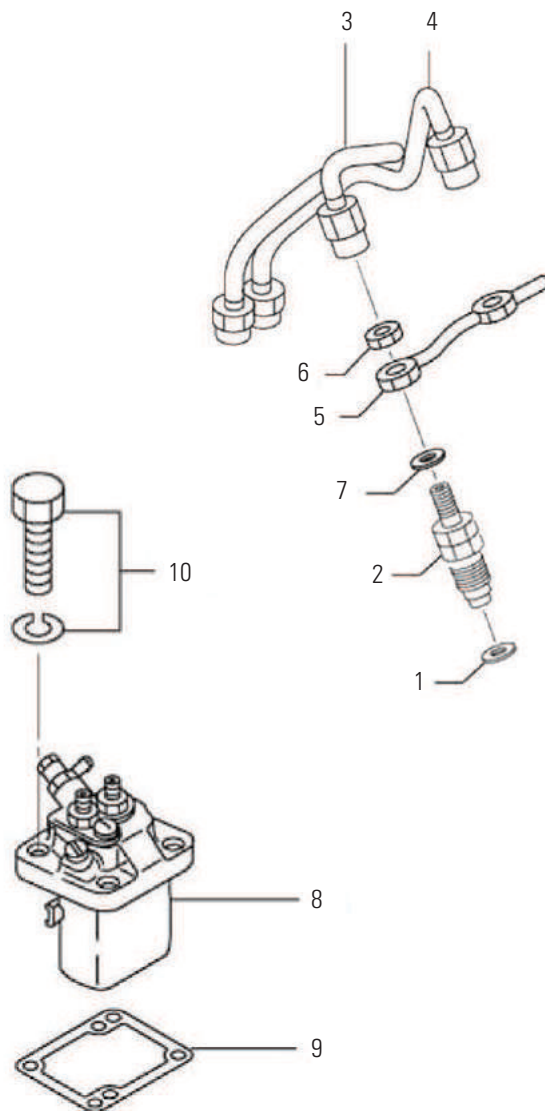
MARINISATION PARTS

MITSUBISHI PARTS

ELECTRONICS

Pos.	Qty	Part	Description	Comment
1	2	AA.300.91204	GASKET, HOLDER	
2	2	?	NOZZLE & HOLDER ASSY	
3	1	AA.300.91206	PIPE, INJECTION NO.1	
4	1	AA.300.91207	PIPE, INJECTION NO.2	
5	1	?	PIPE, FUEL RETURN	
6	2	AA.300.91210	NUT	
7	1	AA.300.91211	GASKET, FUEL RETURN	
8	1	?	PUMP ASSY, FUEL INJ	
9	AR	?	SHIM, ADJUSTING T=0.5	
	AR	?	SHIM, ADJUSTING T=0.2	
	AR	?	SHIM, ADJUSTING T=0.3	
	AR	?	SHIM, ADJUSTING T=0.4	
	AR	?	SHIM, ADJUSTING T=0.6	
	AR	?	SHIM, ADJUSTING T=0.7	
	AR	?	SHIM, ADJUSTING T=0.8	
	AR	?	SHIM, ADJUSTING T=0.9	
	AR	?	SHIM, ADJUSTING T=1.0	
	10	4	AA.300.91222	BOLT, W/WASHER

2.9 FUEL SYSTEM



SPARE PARTS

CM2.16



2.10 NOZZLE HOLDER

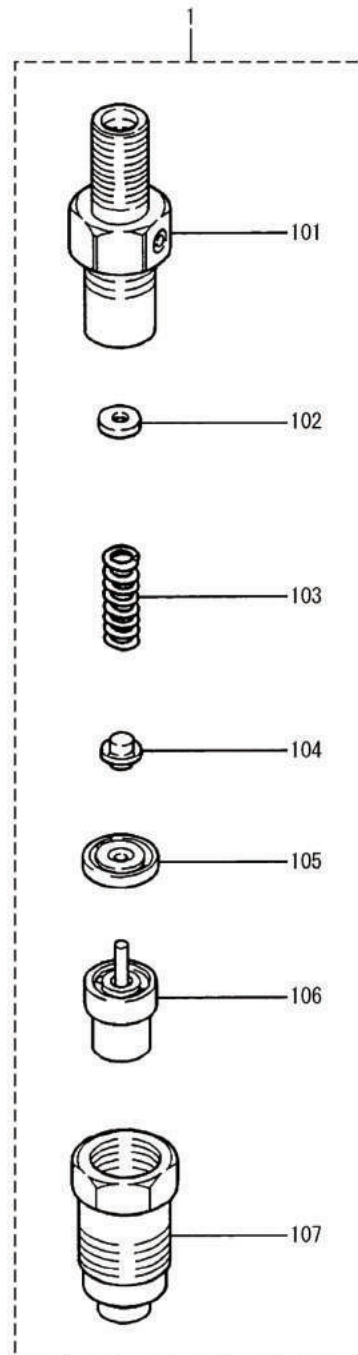
MARINISATION PARTS

MITSUBISHI PARTS

ELECTRONICS

Pos.	Qty	Part	Description	Comment
1	2	?	NOZZLE & HOLDER ASSY	
101	2	?	BODY SUB ASSY	
102	AR	AA.300.91224	WASHER T=1.25	
	AR	AA.300.91225	WASHER T=1.30	
	AR	AA.300.91226	WASHER T=1.35	
	AR	AA.300.91227	WASHER T=1.40	
	AR	AA.300.91228	WASHER T=1.45	
	AR	AA.300.91229	WASHER T=1.50	
	AR	AA.300.91230	WASHER T=1.55	
	AR	AA.300.91231	WASHER T=1.60	
	AR	AA.300.91232	WASHER T=1.65	
	AR	AA.300.91233	WASHER T=1.70	
103	2	?	SPRING, PRESSURE	
104	2	AA.300.91235	PIN, PRESSURE	
105	2	AA.300.91236	PIECE, DISTANCE	
106	2	?	NOZZLE ASSY	
107	2	AA.300.91238	NUT, NOZZLE RETAINING	

2.10 NOZZLE HOLDER



SPARE PARTS

CM2.16



2.11 FUEL PUMP

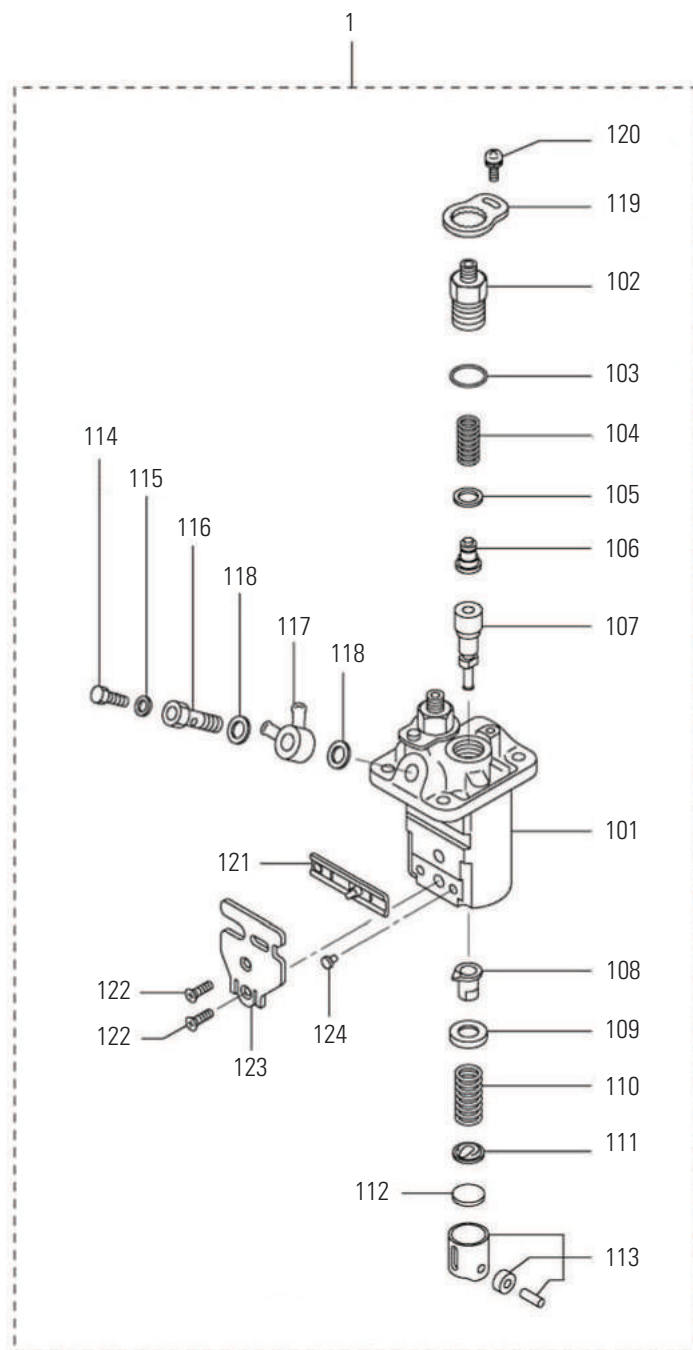
Pos.	Qty	Part	Description	Comment
1	1	?	PUMP ASSY, FUEL INJ	
101	1	?	HOUSING SUB ASSY	
102	2	AA.300.91241	HOLDER, DELIVERY	
103	2	AA.300.91242	O-RING	
104	2	AA.300.91243	SPRING, DELIVERY	
105	2	AA.300.91244	GASKET, DELIVERY	
106	2	AA.300.91245	VALVE SUB ASSY	
107	2	AA.300.91246	ELEMENT SUB ASSY	
108	2	AA.300.91247	SLEEVE SUB ASSY	
109	2	AA.300.91248	SEAT, SPRING UPPER	
110	2	AA.300.91249	SPRING, PLUNGER	
111	2	AA.300.91250	SEAT, SPRING LOWER	
112	AR	AA.300.91251	PLATE, TAPPET SHIM T=1.85	
	AR	AA.300.91252	PLATE, TAPPET SHIM T=1.90	
	AR	AA.300.91253	PLATE, TAPPET SHIM T=1.95	
	AR	AA.300.91254	PLATE, TAPPET SHIM T=2.00	
	AR	AA.300.91255	PLATE, TAPPET SHIM T=2.05	
	AR	AA.300.91256	PLATE, TAPPET SHIM T=2.10	
	AR	AA.300.91257	PLATE, TAPPET SHIM T=2.15	
	AR	AA.300.91258	PLATE, TAPPET SHIM T=2.20	
	AR	AA.300.91259	PLATE, TAPPET SHIM T=2.25	
	AR	AA.300.91260	PLATE, TAPPET SHIM T=2.30	
	AR	AA.300.91261	PLATE, TAPPET SHIM T=2.35	
	AR	AA.300.91262	PLATE, TAPPET SHIM T=2.40	
	AR	AA.300.91263	PLATE, TAPPET SHIM T=2.45	
	AR	AA.300.91264	PLATE, TAPPET SHIM T=2.50	
113	2	AA.300.91265	TAPPET SUB ASSY	
114	1	AA.300.91266	SCREW, AIR BLEEDER	
115	1	AA.300.91267	WASHER, DRAIN SCREW	
116	1	AA.300.91268	SCREW, HOLLOW	
117	1	AA.300.91269	NIPPLE, SWIVEL	
118	2	AA.300.91270	WASHER, DRAIN UNION	
119	2	AA.300.91271	PLATE, LOCK	
120	3	AA.300.91272	SCREW, W/WASHER	
121	1	AA.300.91273	RACK ASSY, CONTROL	
122	2	AA.300.91274	SCREW, COUNTERSUNK	
123	1	AA.300.91275	BRACKET, STOP WIRE	
124	2	AA.300.91276	PIN, TAPPET GUIDE	

MARINISATION PARTS

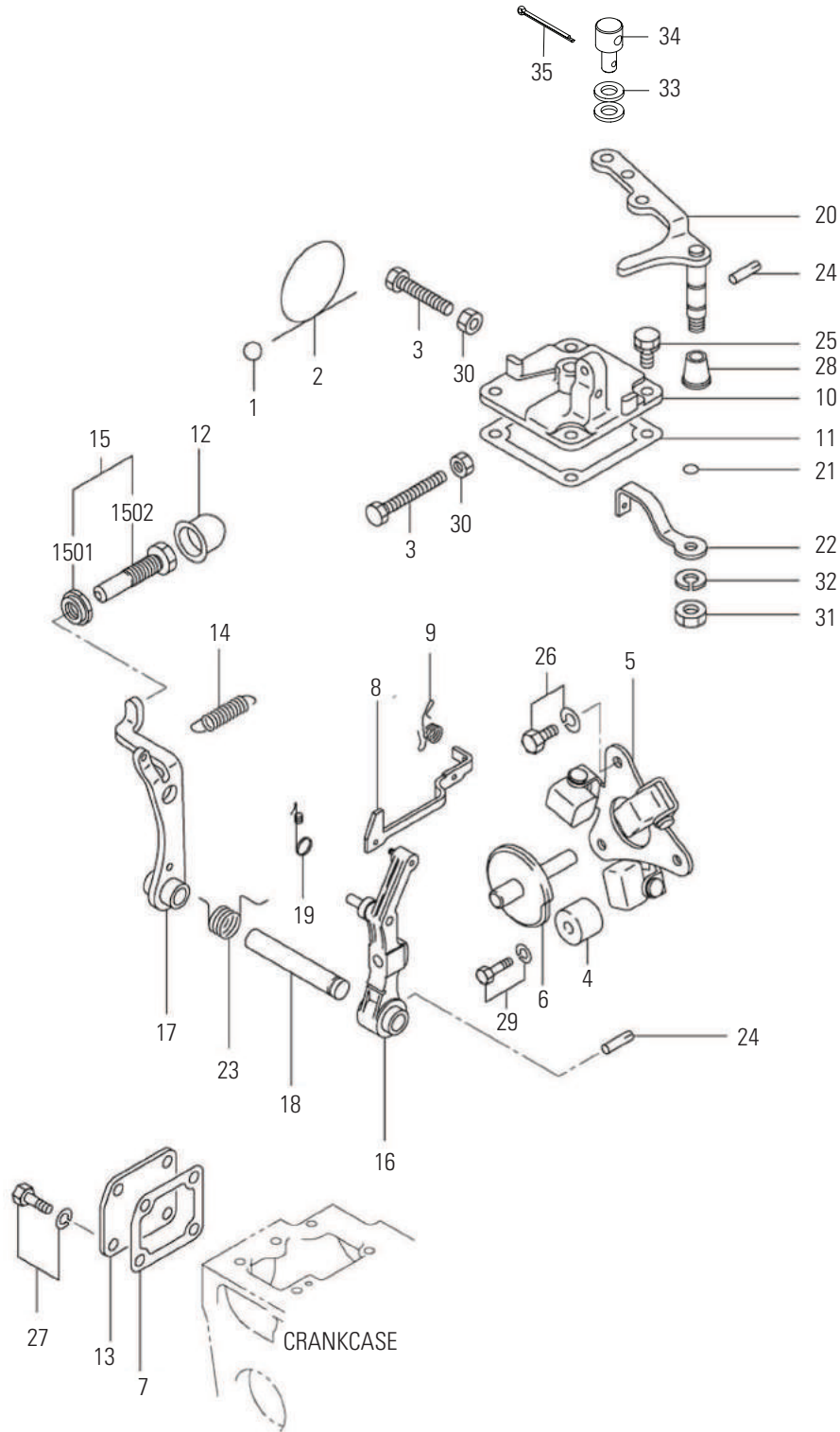
MITSUBISHI PARTS

ELECTRONICS

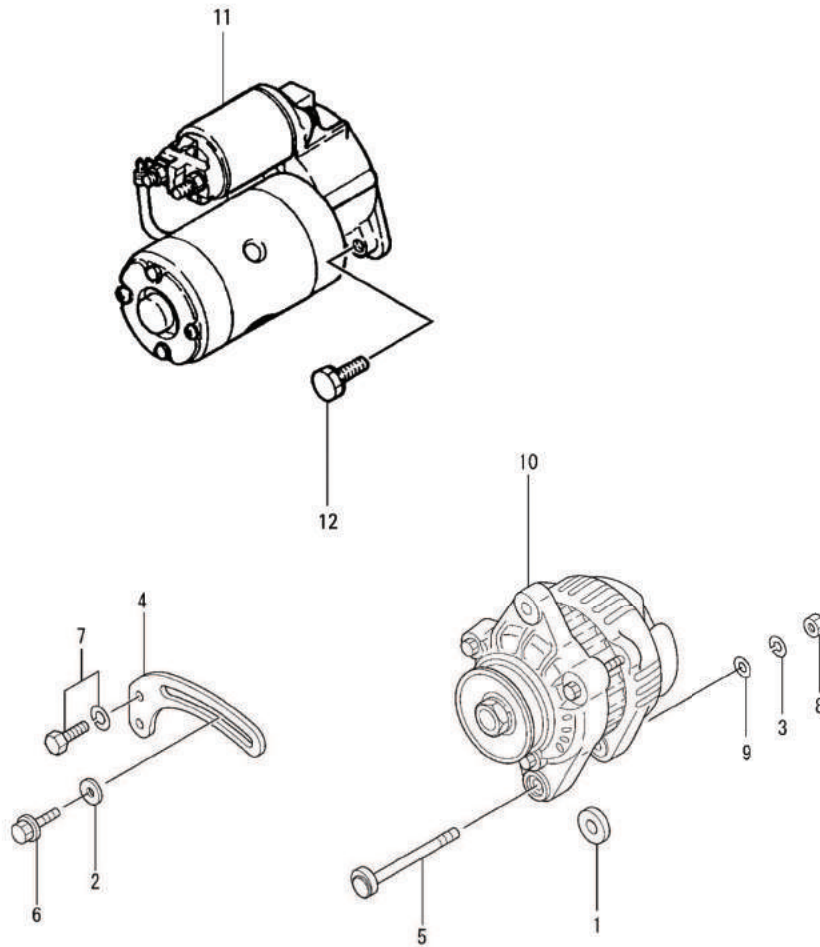
2.11 FUEL PUMP



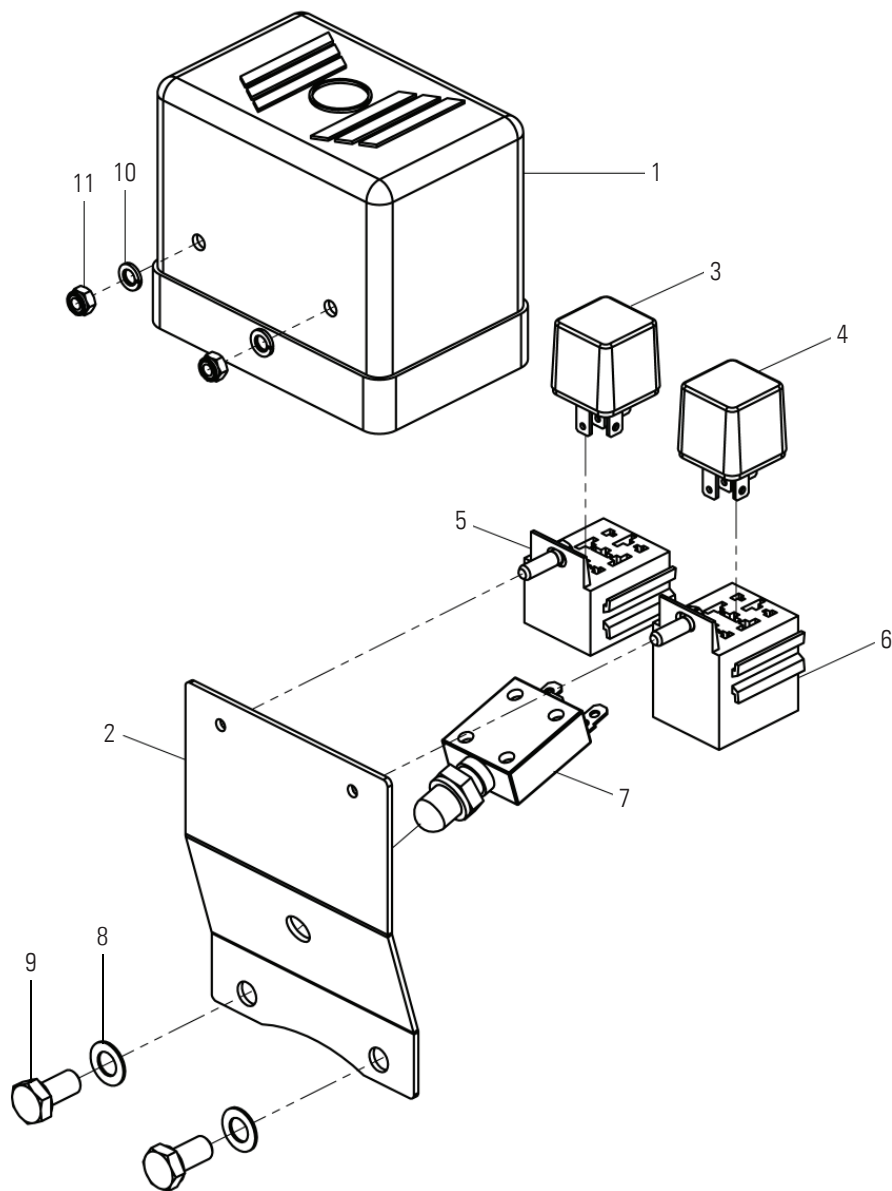
2.12 REGULATOR



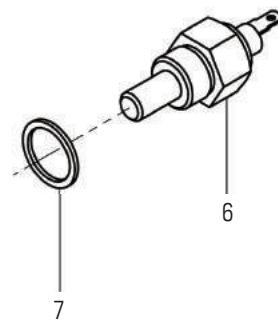
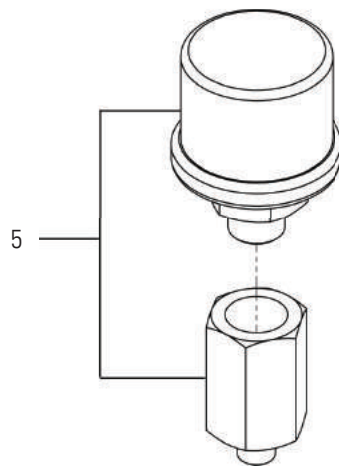
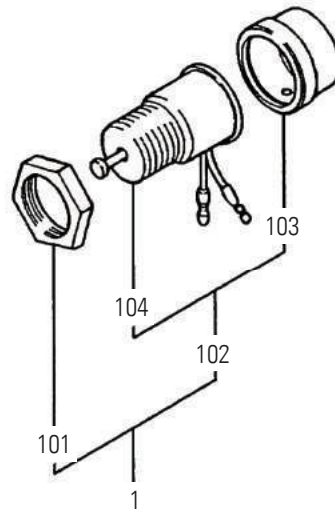
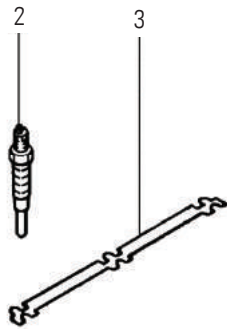
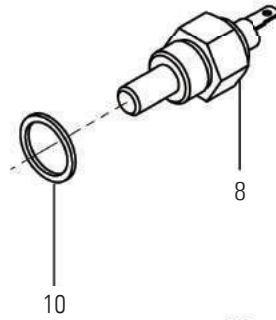
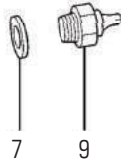
3.1 ALTERNATOR & STARTER



3.2 TERMINAL BOX



3.3 SENSORS



SPARE PARTS

CM2.16



3.4 INSTRUMENT PANEL

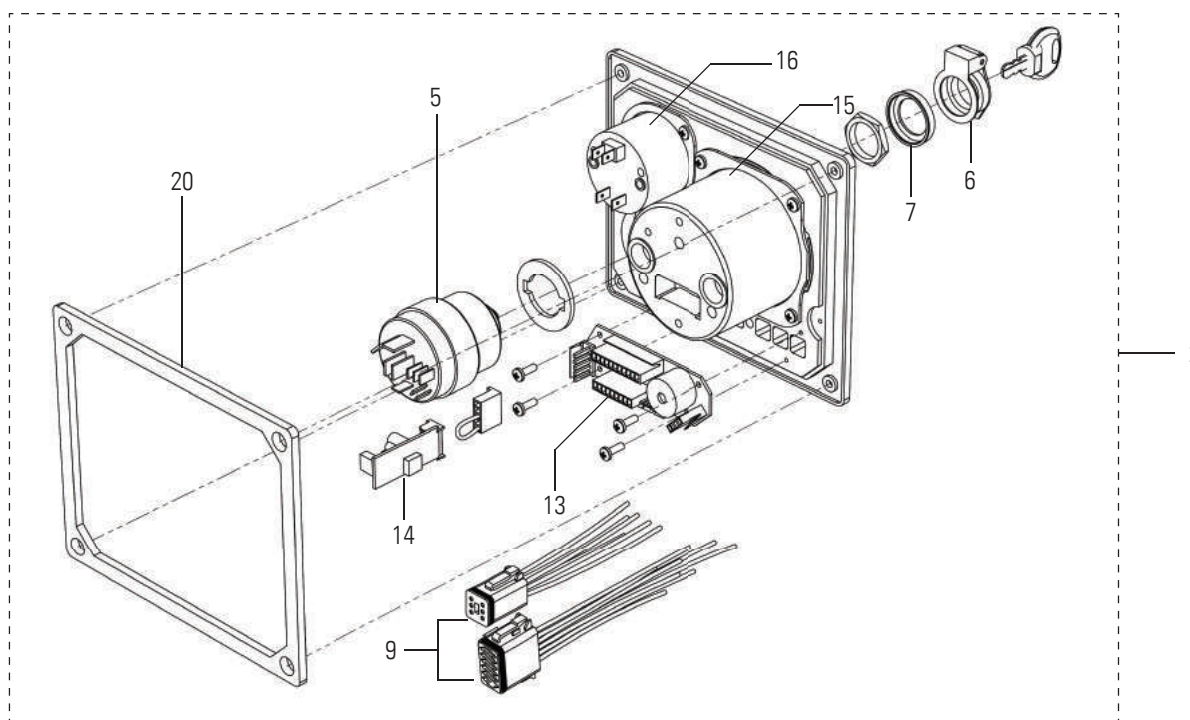
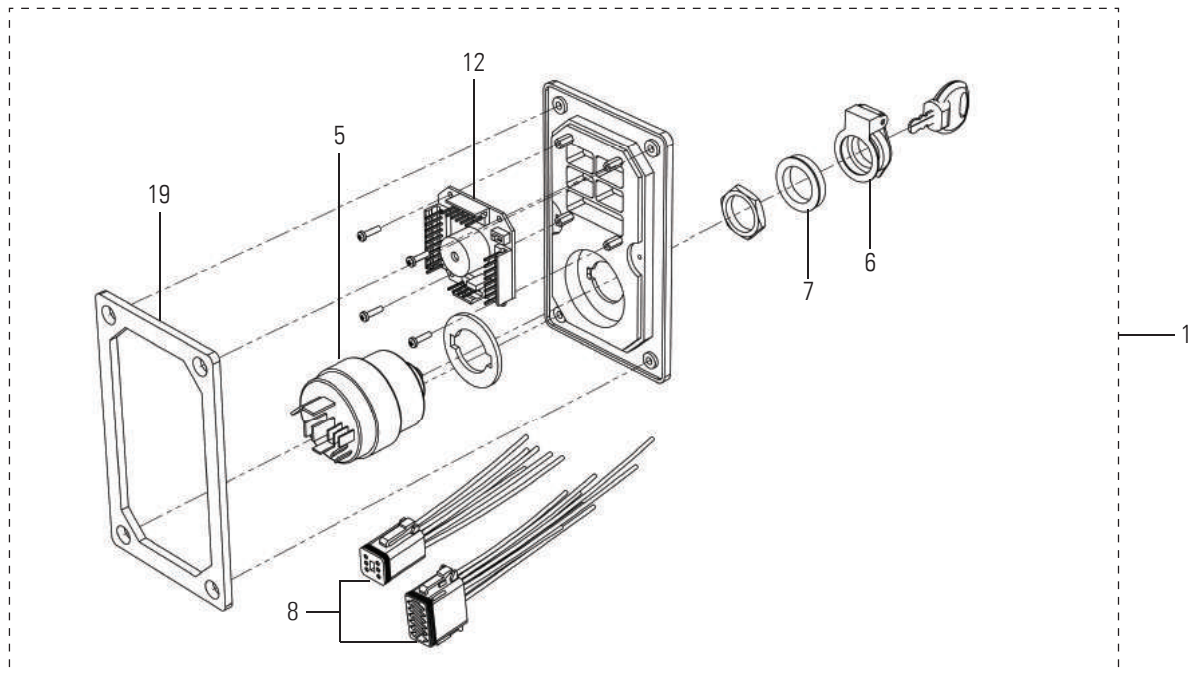
Pos.	Qty	Part	Description	Comment
1	1	AB.010.20000	ALFA 10E ENGINE PANEL COMPLETE	
2	1	AB.020.20000	ALFA 20E ENGINE PANEL COMPLETE	
3	1	AB.030.20000	ALFA 30E ENGINE PANEL COMPLETE	
4	1	AB.040.20000	ALFA 40E ENGINE PANEL COMPLETE	
5	1	AB.010.90001	IGNITION SWITCH COMPLETE	
6	1	AB.010.90002	DUSTCOVER	
7	1	AB.010.90003	CAP	
8	1	AB.010.00002	WIRING LOOM ALFA 10E	
9	1	AB.020.00002	WIRING LOOM ALFA 20E	
10	1	AB.030.00002	WIRING LOOM ALFA 30E	
11	1	AB.040.00002	WIRING LOOM ALFA 40E	NOT SHOWN
12	1	AB.010.00003	PCB ALFA 10E	
13	1	AB.020.00003	PCB ALFA 20E/ALFA 30E/ALFA 40E	
14	1	AB.010.00004	DIMMER PCB	
15	1	DB.010.20001	TACHOMETER, BLACK	
		DB.010.21001	TACHOMETER, WHITE	
16	1	DB.010.20004	VOLTMETER, BLACK	
		DB.010.21004	VOLTMETER, WHITE	
17	1	DB.010.20003	TEMPERATURE GAUGE, BLACK	
		DB.010.21003	TEMPERATURE GAUGE, WHITE	
18	1	DB.010.20002	OIL PRESSURE GAUGE, BLACK	
		DB.010.21002	OIL PRESSURE GAUGE, WHITE	
19	1	AB.010.00004	GASKET ALFA 10E	
20	1	AB.020.00004	GASKET ALFA 20E	
21	1	AB.030.00004	GASKET ALFA 30E	
22	1	AB.040.00004	GASKET ALFA 40E	
23	1	AA.300.90149	MOUNTING SET ALFA 10/20/30	NOT SHOWN
24	1	AA.300.90150	MOUNTING SET ALFA 40	
25	1	AA.300.90151	FRONT STICKER ALFA 10	NOT SHOWN
		AA.300.90152	FRONT STICKER ALFA 20	NOT SHOWN
		AA.300.90153	FRONT STICKER ALFA 30	NOT SHOWN
		AA.300.90154	FRONT STICKER ALFA 40	NOT SHOWN
26	1	AA.300.90155	ALUMINIUM FRONT ALFA 40	

MARINISATION PARTS

MITSUBISHI PARTS

ELECTRONICS

3.4 INSTRUMENT PANEL



MARINISATION PARTS
MITSUBISHI PARTS
ELECTRONICS

SPARE PARTS

CM2.16



3.4 INSTRUMENT PANEL

Pos.	Qty	Part	Description	Comment
1	1	AB.010.20000	ALFA 10E ENGINE PANEL COMPLETE	
2	1	AB.020.20000	ALFA 20E ENGINE PANEL COMPLETE	
3	1	AB.030.20000	ALFA 30E ENGINE PANEL COMPLETE	
4	1	AB.040.20000	ALFA 40E ENGINE PANEL COMPLETE	
5	1	AB.010.90001	IGNITION SWITCH COMPLETE	
6	1	AB.010.90002	DUSTCOVER	
7	1	AB.010.90003	CAP	
8	1	AB.010.00002	WIRING LOOM ALFA 10E	
9	1	AB.020.00002	WIRING LOOM ALFA 20E	
10	1	AB.030.00002	WIRING LOOM ALFA 30E	
11	1	AB.040.00002	WIRING LOOM ALFA 40E	NOT SHOWN
12	1	AB.010.00003	PCB ALFA 10E	
13	1	AB.020.00003	PCB ALFA 20E/ALFA 30E/ALFA 40E	
14	1	AB.010.00004	DIMMER PCB	
15	1	DB.010.20001	TACHOMETER, BLACK	
		DB.010.21001	TACHOMETER, WHITE	
16	1	DB.010.20004	VOLTMETER, BLACK	
		DB.010.21004	VOLTMETER, WHITE	
17	1	DB.010.20003	TEMPERATURE GAUGE, BLACK	
		DB.010.21003	TEMPERATURE GAUGE, WHITE	
18	1	DB.010.20002	OIL PRESSURE GAUGE, BLACK	
		DB.010.21002	OIL PRESSURE GAUGE, WHITE	
19	1	AB.010.00004	GASKET ALFA 10E	
20	1	AB.020.00004	GASKET ALFA 20E	
21	1	AB.030.00004	GASKET ALFA 30E	
22	1	AB.040.00004	GASKET ALFA 40E	
23	1	AA.300.90149	MOUNTING SET ALFA 10/20/30	NOT SHOWN
24	1	AA.300.90150	MOUNTING SET ALFA 40	
25	1	AA.300.90151	FRONT STICKER ALFA 10	NOT SHOWN
		AA.300.90152	FRONT STICKER ALFA 20	NOT SHOWN
		AA.300.90153	FRONT STICKER ALFA 30	NOT SHOWN
		AA.300.90154	FRONT STICKER ALFA 40	NOT SHOWN
26	1	AA.300.90155	ALUMINIUM FRONT ALFA 40	

MARINISATION PARTS

MITSUBISHI PARTS

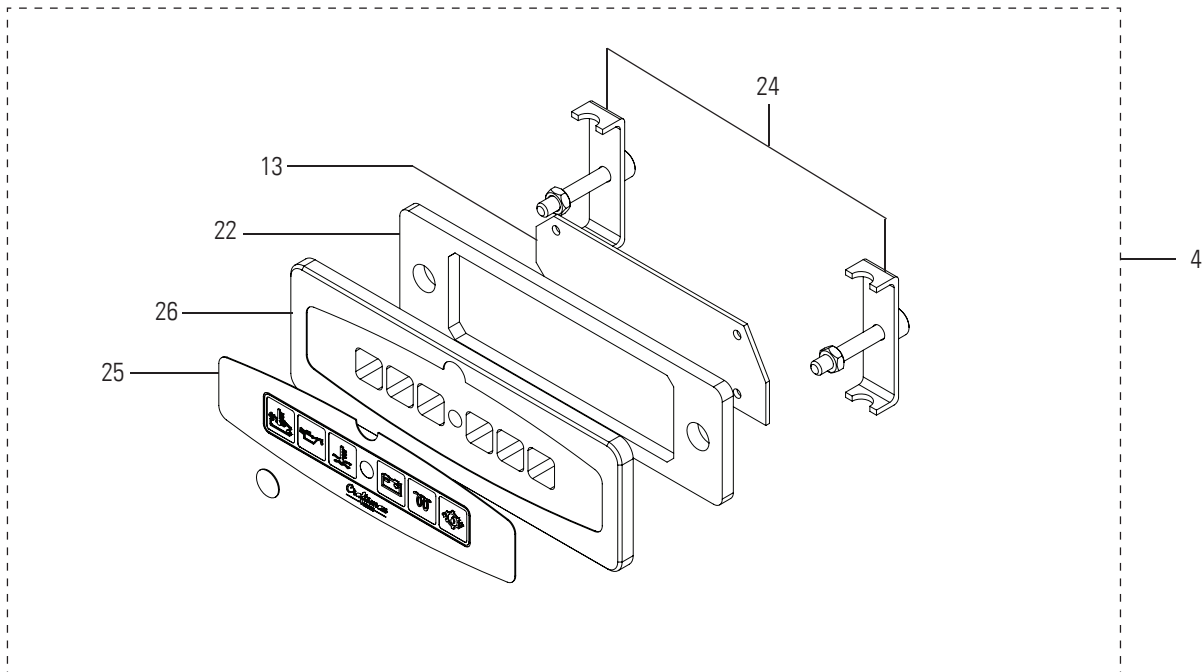
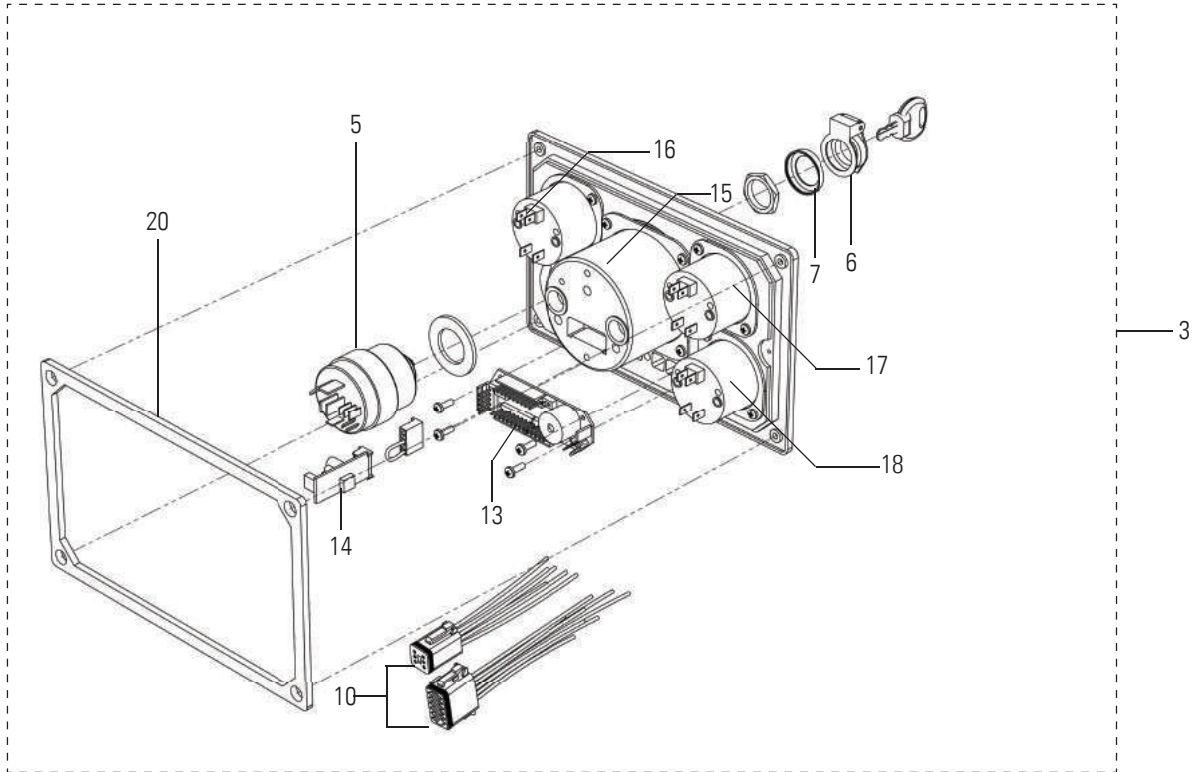
ELECTRONICS

SPARE PARTS

CM2.16

Craftsman
MARINE

3.4 INSTRUMENT PANEL



MARINISATION PARTS

MITSUBISHI PARTS

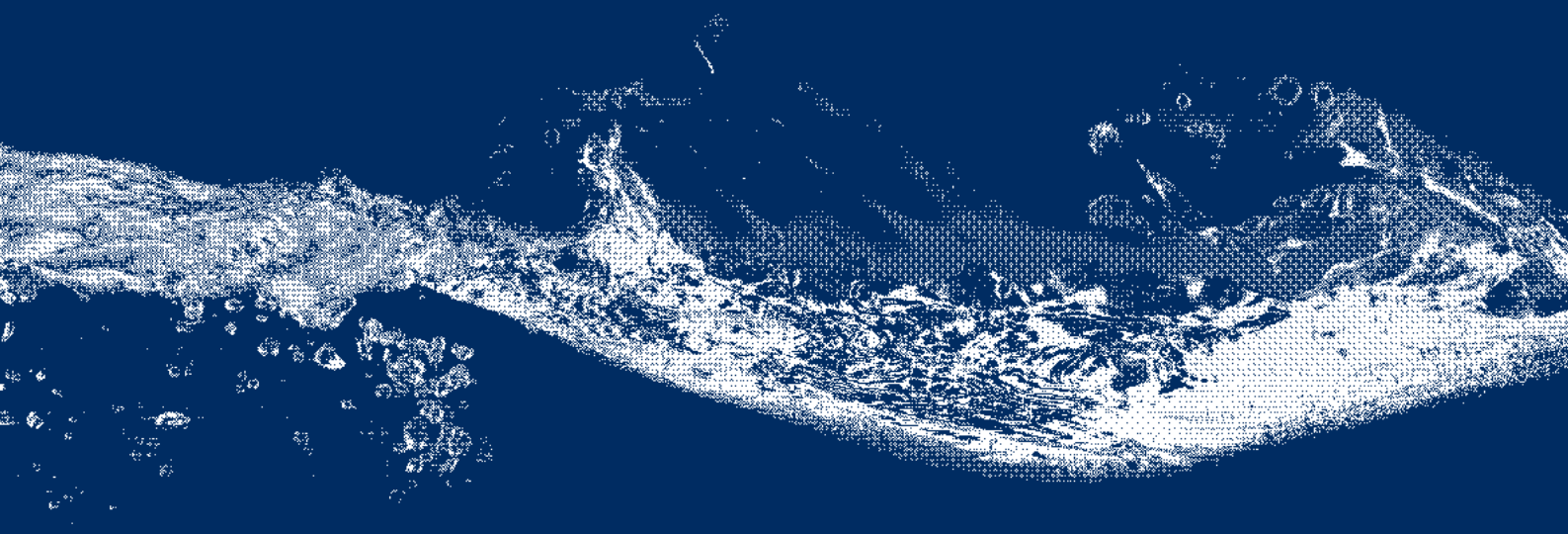
ELECTRONICS



ZD-010-014.2.1.01.11

info@craftsmanmarine.com
www.craftsmanmarine.com

Printed in the Netherlands



CRAFTED WITH CRAFTSMAN MARINE